

S35-GT

1/8 Scale 4WD Nitro Power On-Road GT Car



※ Body shell is not included in the kit.

**SWORKZ S35-GT
INSTRUCTION MANUAL**



S35-GT

1/8 Scale 4WD Nitro Power On-Road GT Car

INTRODUCTION

Based on the latest SWORKz S35-GTE platform, SWORKz further developed and improved the nitro GT and came up with the S35-GT.

The S35-GT is the ultimate SWORKz 1/8th nitro On-Road GT Car at this moment. Its front and rear suspension design is shared with the S35-GTE. The Ackermann steering system came directly from the 1/8th S35-3 nitro Buggy. A new center 2 speed on-road transmission system gives perfect acceleration to the S35-GT.

The S35-GT newly designed arms are made from a strong nylon material. Optional carbon covers are available to adjust the arm's stiffness for different tracks.

The new unique front shock tower design allows to change the front upper angle position easily.

The T-7075 aluminum chassis with its new design L.F.C (Lower Friction Coefficient) system will give more grip and at the same time less friction for the rear.

A new radio tray system provides better and more precise throttle and braking response.

The S35-GT includes high quality parts, an refined shock system, more options and an optimized suspension geometry.

SWORKz utilizes only the highest quality materials and industry leading manufacturing processes, resulting in a faster, stronger and more reliable vehicle. The SWORKz S35-GT 1/8 Pro Nitro On-Road GT Kit has been designed to out-perform the competition on any On-Road track, while offering amazing performance to drivers of all levels.

Congratulations on your purchase of the new SWORKz S35-GTE 1/8 scale on-road racing GT pro kit.

Please read this manual thoroughly before you attempt to start running your S35-GTE. This manual contains step-by-step instructions to help you complete, prepare for startup, and fine-tune your Buggy. Updates, setups, and product news will be posted on our website (www.sworkz.com) or SWORKz RC Face Book page.

As always, if you should ever have any questions or need help with your S35-GT, please feel free to contact our official SWORKz dealers and distributors, as they will be glad to help you. You may also contact us at any time for the most up to date information and support.

S35-GT Kit Features:

1. S35-GT series Nitro on-road GT Car T-7075 Aluminum Lightened Main Chassis with L.F.C system (Lower Friction Coefficient)
2. S35-GT Series Front and Rear Pro Shock Towers made of Lightened T-7075 Aluminum for GT-BBS shocks system.
3. S35 Series BBS Emulsion Shock Caps.
4. S35-3 Series Lightened Transmission Gear Box System with High Performance Crown Gears and Pinion Gears.
5. Front and Rear Universal Drive Shafts with Special Lightened 6mm Axle Wheel Hub system.
6. S35-3 Series Aluminum Rear Lower Fully Adjustable Toe-In Block (A).
7. S35-3 Series Competition Aluminum Steering Knuckle Plates.
8. S35-GT new center 2 speed on-road transmission system.
9. S35-GT/GTE On Road Bumper and rear body poster system.
10. Heavy Duty Front and Rear Arms .
11. Professional 2.0 Metal Brake Calippers.
12. New 150cc Floating Fuel Filter System Tank.
13. Adjustable Front Upper and Lower Suspension Arm System.
14. S35-3 Series Pro-composite Carbon Front Upper Arm Covers.



Specification	
Length:	490mm
Width:	308mm
Height:	145mm
Ground Clearance:	15mm
Wheelbase:	325-330mm
Track:	F:304mm / R:306mm
Gear Ratio:	C:61/57-19/24T, F/R 43/13T
Weight:	3550g (Race condition)

WARRANTY

Your SWORKz S35-GT Pro kit warranty covers workmanship and manufacturing defects of the original and unmodified parts. Warranty claims resulting from crashes, abuse, improper operation, improper mounting, improper adjustment or lack of maintenance will not be honored.

Contact your local hobby shop or SWORKz distributor for all claims and questions. Claims must be well documented. All Claims are subject to expert examination approval by SWORKz.



INTRODUCTION	2
Warranty	3
Required Equipment for Operation	5
Operation Guide	6
Assembly Steps	7-37
Set-up Sheet	38
Blank Set-up Sheet	39-40
S35-GT Key No. List	41-42
S35-GT Spare Part List	42-43
S35-GT Option Part List	43
End cover	44

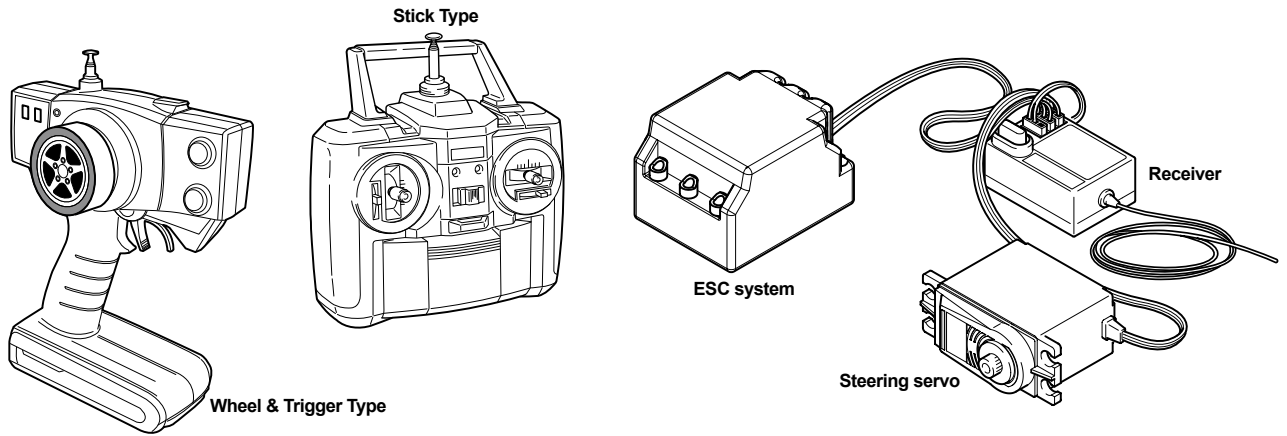


This radio controlled racing car is not a toy!

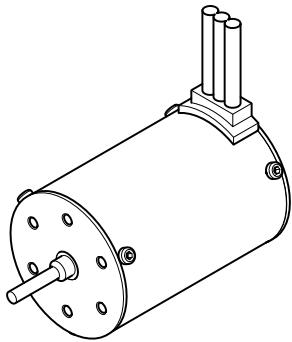
This high-performance R/C model is recommended for ages 14 and older.

Required Equipment for Operation

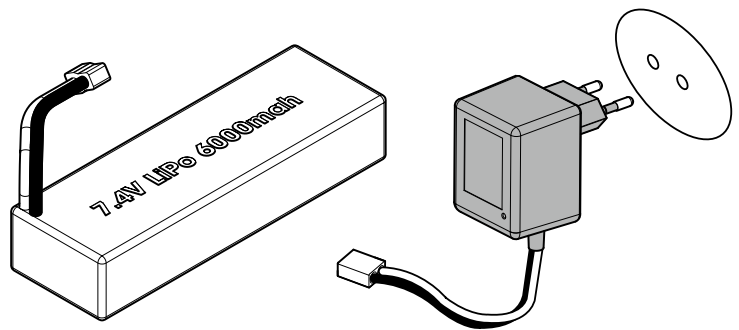
Radio Gear



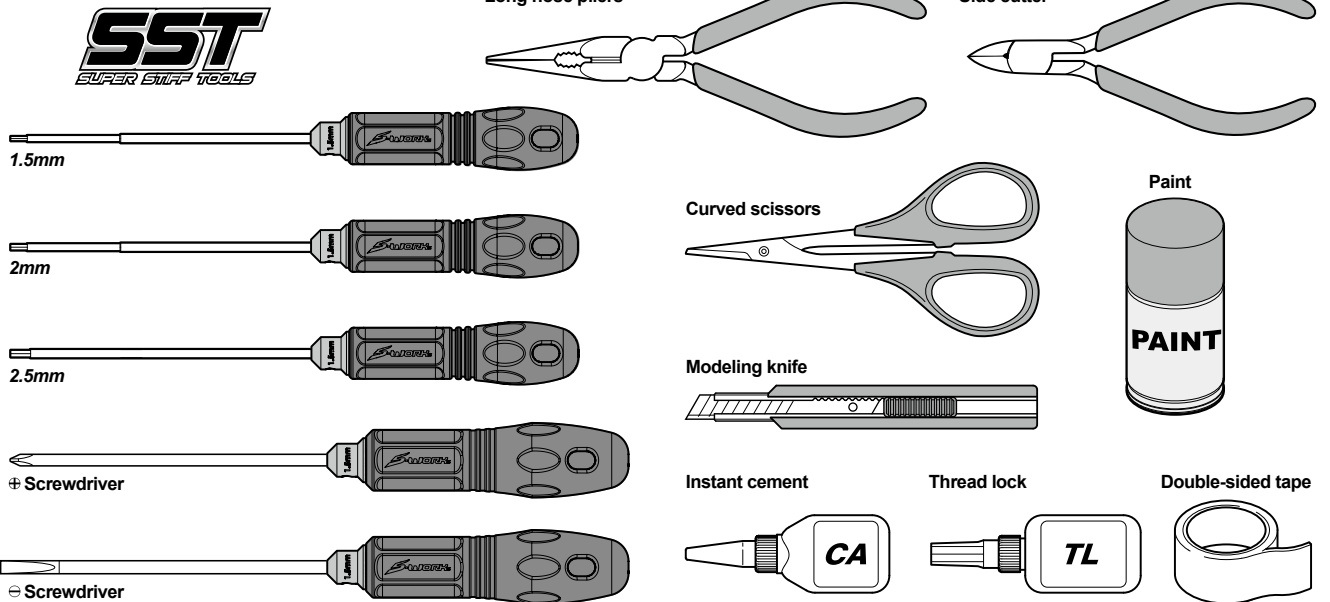
Breshless Motor



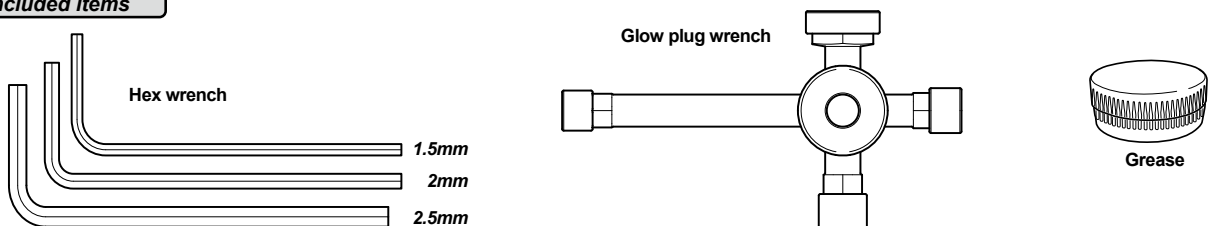
Charger and LiPo Battery



Tools Recommended



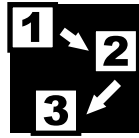
Included items



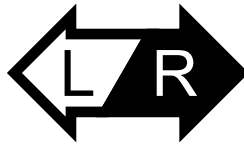
Operation Guide



Assemble front and rear



Assemble in the specified order



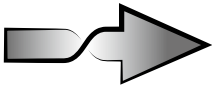
Assemble both left and right sides



Assemble for 2 sets



Assemble for 4 sets



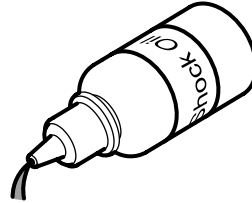
overturn



Thread Locking Compound



Grease



Pure Silicone Oil



Air filter oil

Safety Precautions

The SWORKz S35-GT is a high performance radio controlled model which needs to be operated with caution and common sense.

The S35-GT Pro Kit is not intended for children under the age of 14 without adult supervision. SWORKz shall not be held liable for any loss or damages, whether direct, indirect, act of nature, arising from the abuse or misuse of this product or any other product required while operating this model.

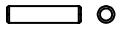
- The LiPO Battery can be dangerous is improperly handled.
- Always keep your LiPO Battery in a cool area and never use near flame, sparks, or while smoking.
- Keep your LiPO Battery, and all other flammables, out of the reach of children.
- After running your car, all parts of the Motor and ESC can become extremely hot. Be careful not to touch these parts.
- This model is controlled by your radio and that is vulnerable to interference from many outside sources. This interference can cause a loss of control so it is necessary to operate this model in an open area to avoid personal, or property damage. Always ensure turning on your radio first.
- Keep all the products included in the package out of reach of children.
- This model contains many fast rotating parts. Never touch them during operation.
- Follow the instruction included with your radio gear.
- Never operate your model near people or property. The speed of this model has the potential for injury and or damage to people and or property.
- Always use original SWORKz spare and option parts.
- Always ensure the buggy is in proper working condition before use.
- Always exercise caution when using any and all tools.

BAG B

1

F/R

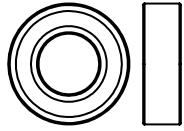
x2



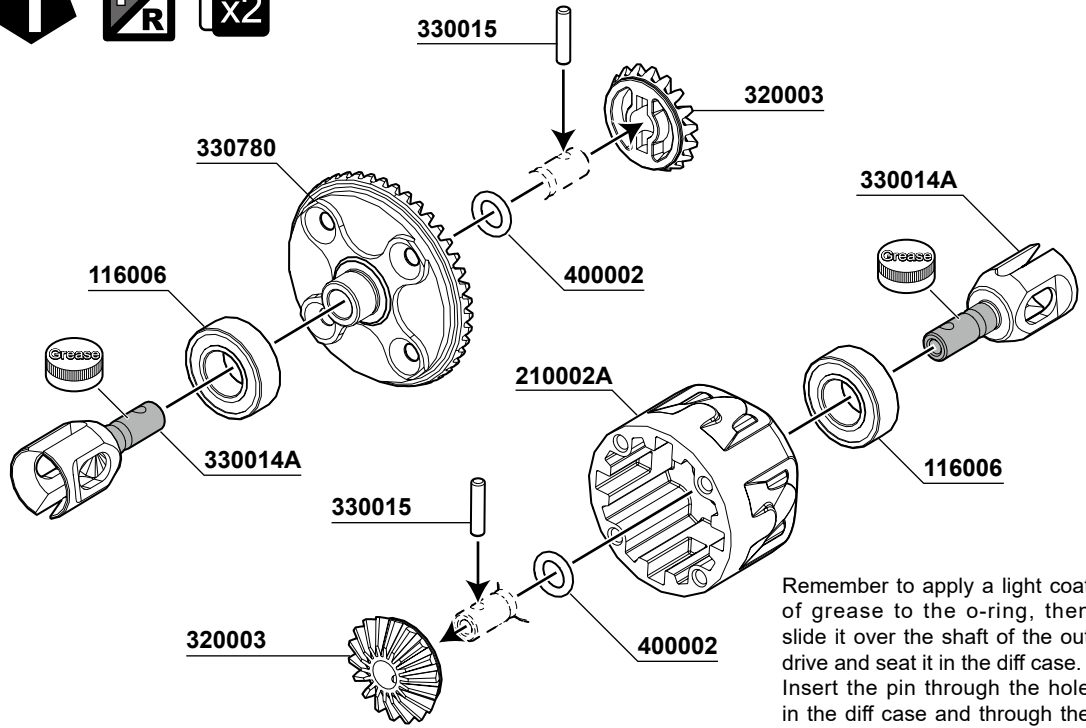
330015
Pin M2.2x9.9mm **x4**



400002
O-ring S5 4.8X1.5 **x4**



116006
Ball Bearing 8x16x5mm **x4**



Remember to apply a light coat of grease to the o-ring, then slide it over the shaft of the out drive and seat it in the diff case. Insert the pin through the hole in the diff case and through the hole in the shaft of the out drive.

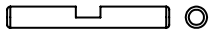
2

F/R

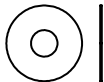
x2



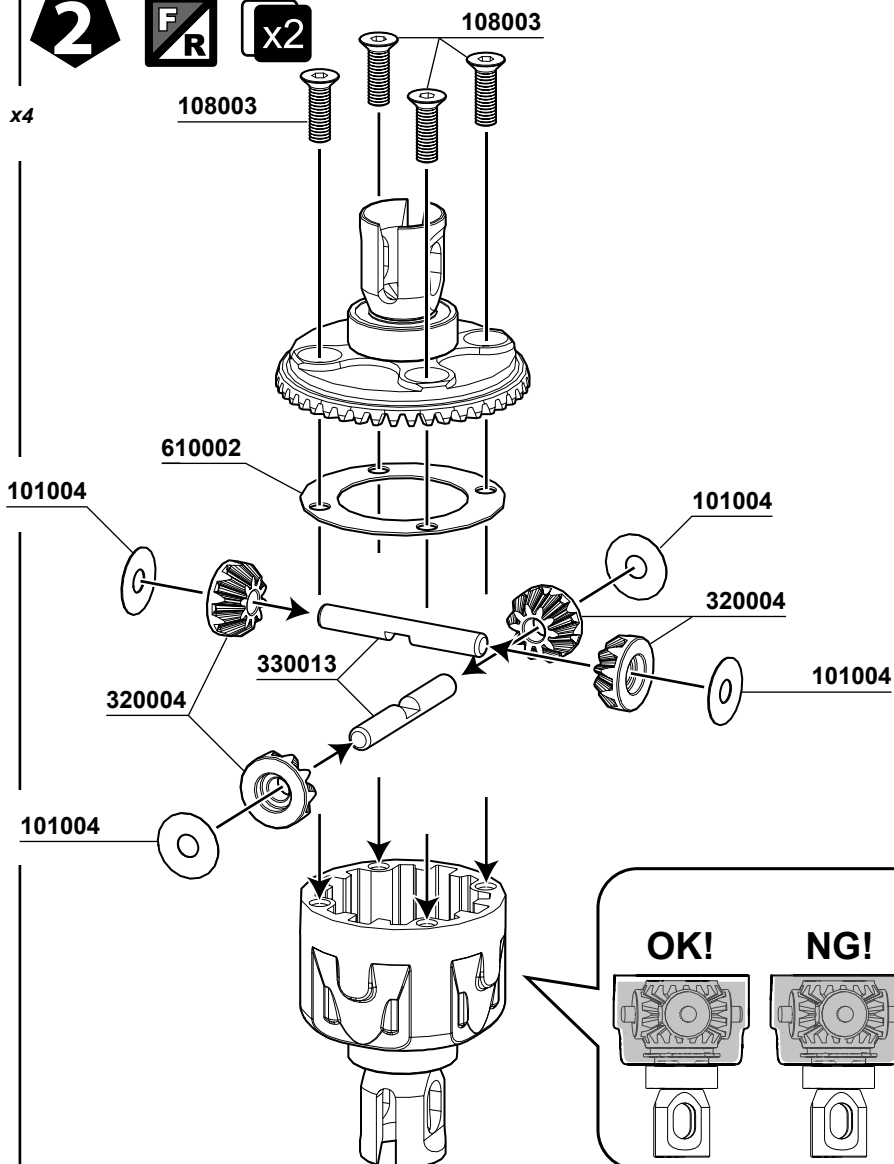
108003
M3x10mm FH/ST HEX Screw **x4**



330013
Bevel Gear Shaft **x4**



101004
Washer 3.5X10X0.2mm **x8**



OK!

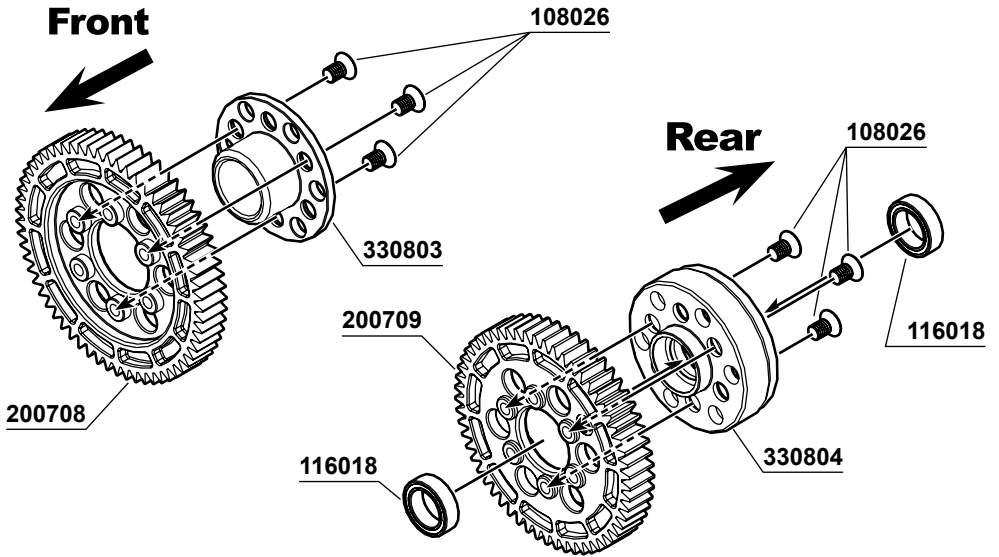
NG!

Fill the differentials with oil up to 80% above the satellite gears. Put the SWORKz Diff. Oil 7000cps for the front Diff. and 3000cps for the rear Diff.

3

108026
M3x5mm FH/ST HEX Screw x6

116018
Ball Bearing 8x12x3.5mm x2



4

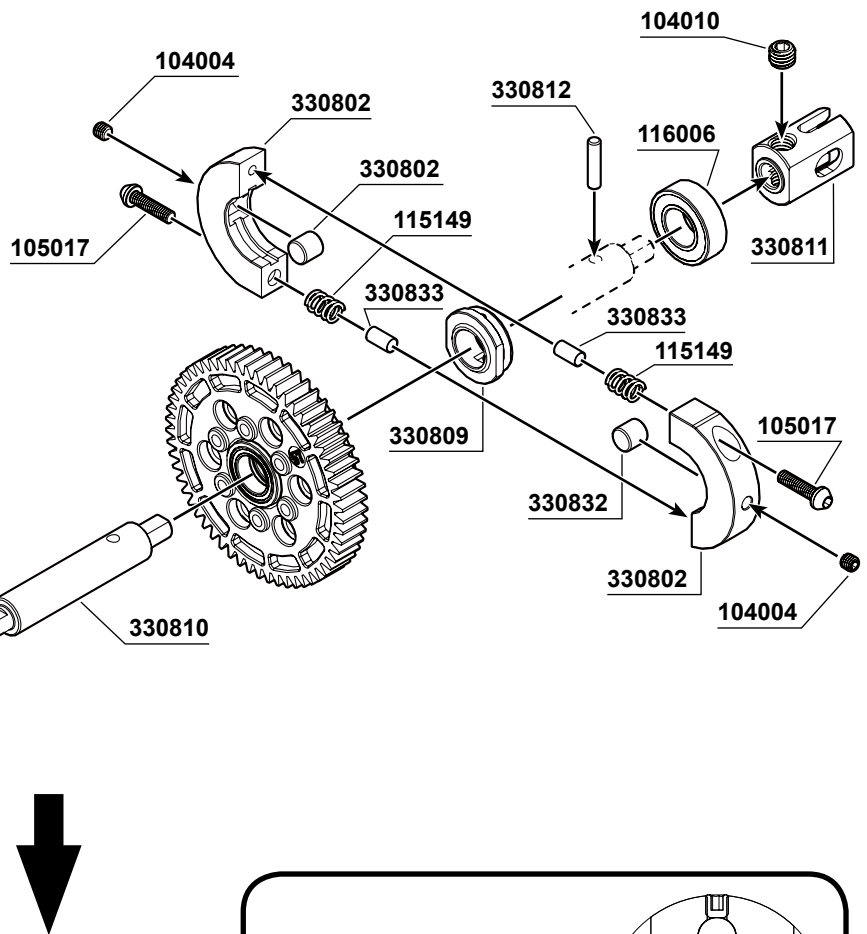
105017
S35GT 2nd Speed Spring Screw x2

104004
M3x3mm Set Screw x2

104010
M5x4mm Set Screw (Flat Bottom) x1

116006
Ball Bearing 8x16x5mm x2

101035
M8x12xT0.2mm x2



**Initial setup
15.5mm**

Note:
By tightening the screws, the 2 speed clutch will engage later, while loosening the screws will make the 2 speed clutch engage earlier.

Pro Tip:
Before installing the M5x4 set screw (104010),
remember to clean the set screw and center driver joint (330661A) first.
Then apply TLC on the set screw.



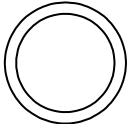
104010
M5x4mm Set Screw (Flat Bottom) x1



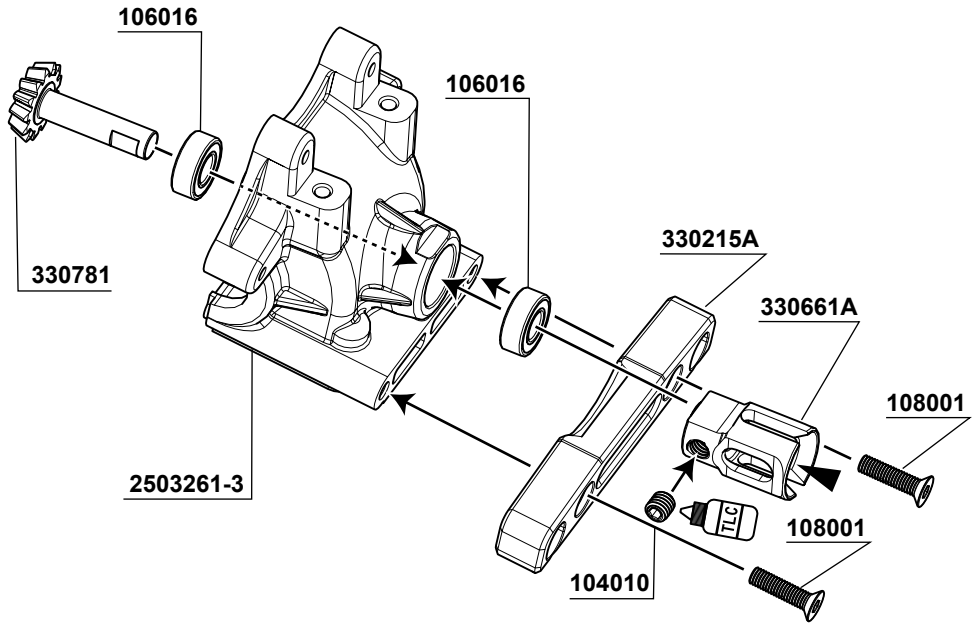
108001
M3x12mm FH/ST HEX Screw x4



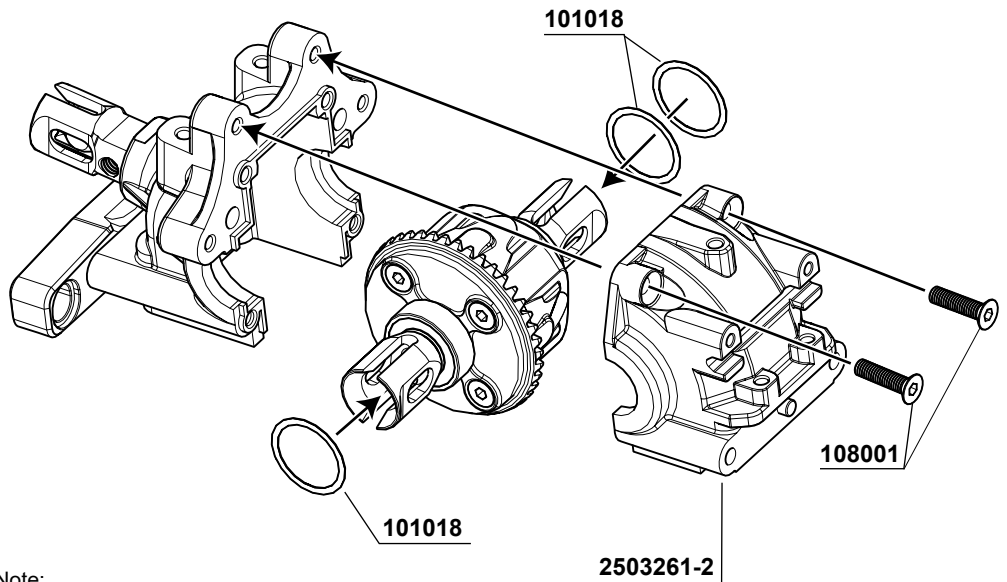
116016
Ball Bearing 5x11x4mm x2



101018
SHIM 13x16x0.2mm x3



Note:
The aluminum front lower arm holder (330215A) can offer 0° or 1°
kick-up for your front lower suspension.
You may use the inserts 2503260-14 to get 0°
kick-up or 2503260-15 to get 1° for your front lower suspension.
2503260-14 Front Lower Aluminum Arm Holder Inserts (0 degree)
2503260-15 Front Lower Aluminum Arm Holder Inserts (1 degree)



Note:
101018 SHIM 13x16x0.2mm
Please use 13x16x0.2mm shims
to adjust the play between the
crown gear and pinion gear.
Standard suggestion is 1pc shim
on the diff crown gear side and
2pcs on the other side.

6 Rear

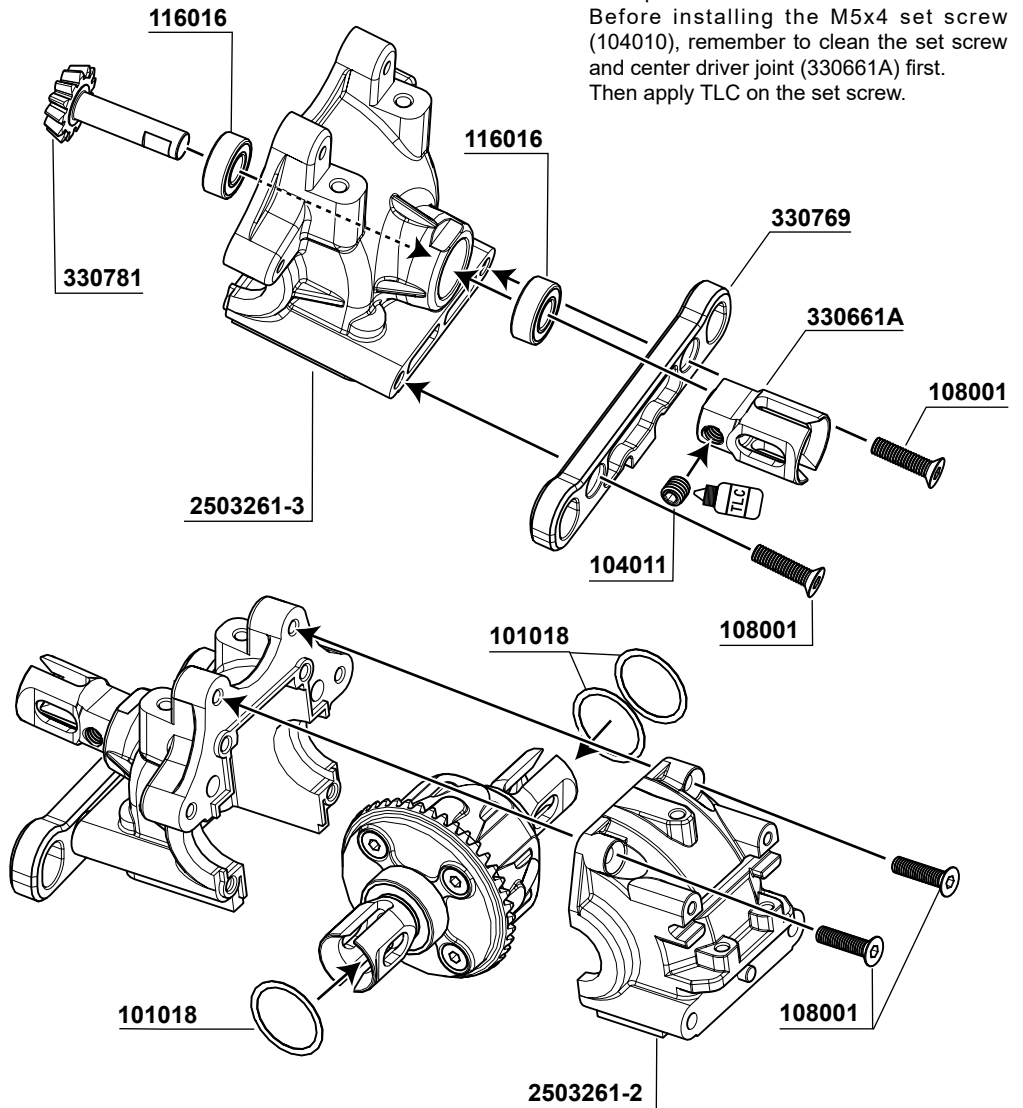
104010
M5x4mm Set Screw (Flat Bottom) x1

108001
M3x12mm FH/ST HEX Screw x4

116016
Ball Bearing 5x11x4mm x2

101018
SHIM 13x16x0.2mm x3

Pro Tip:
Before installing the M5x4 set screw (104010), remember to clean the set screw and center driver joint (330661A) first. Then apply TLC on the set screw.



Note:
101018SHIM 13x16x0.2mm
Please use 13x16x0.2mm shims to adjust the play between the crown gear and pinion gear. Standard suggestion is 1pc shim on the diff crown gear side and 2pcs on the other side.

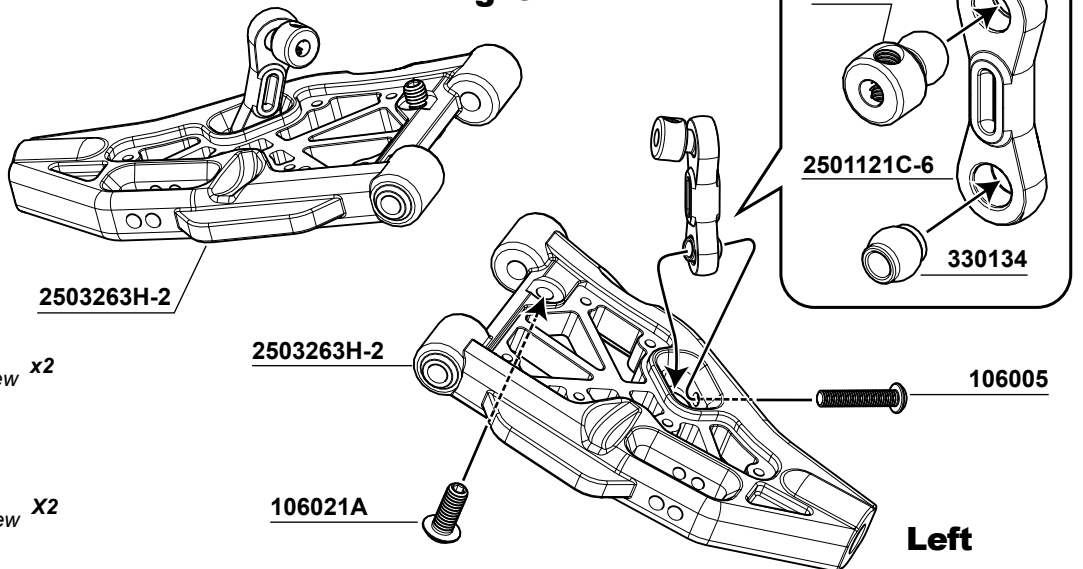
BAG E1

7



x2

Right



106005
M3x15mm Hex Socket OH/TP Screw x2

106021A
M4x10mm Hex Socket OH/TP Screw x2

Left



108008
M3x35mm FH/ST HEX Screw x2



101020A
3mm Countersunk Washers (GM) x2

8

2503260-14/15

2503260-14/15

2503260-24.25

330103

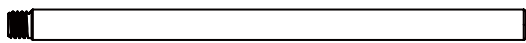
2503260-24.25

330642

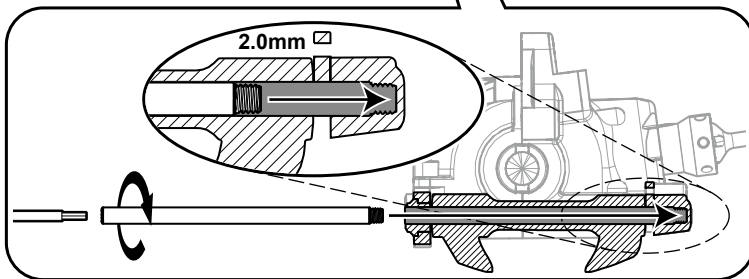
101020A

108008

Use a 2mm Hex Wrench and slowly tighten the Hinge Pins.



330103
Front/Rear Lower Arm HingPin x2

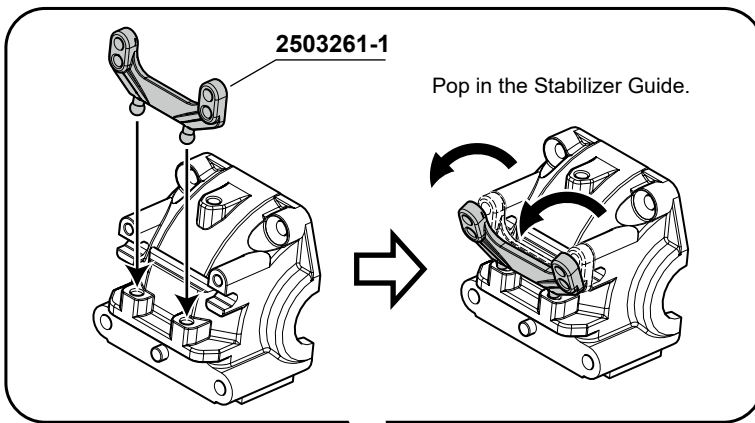


104004
M3x3mm Set Screw x2

9

2503261-1

Pop in the Stabilizer Guide.



104004

104004

115008A

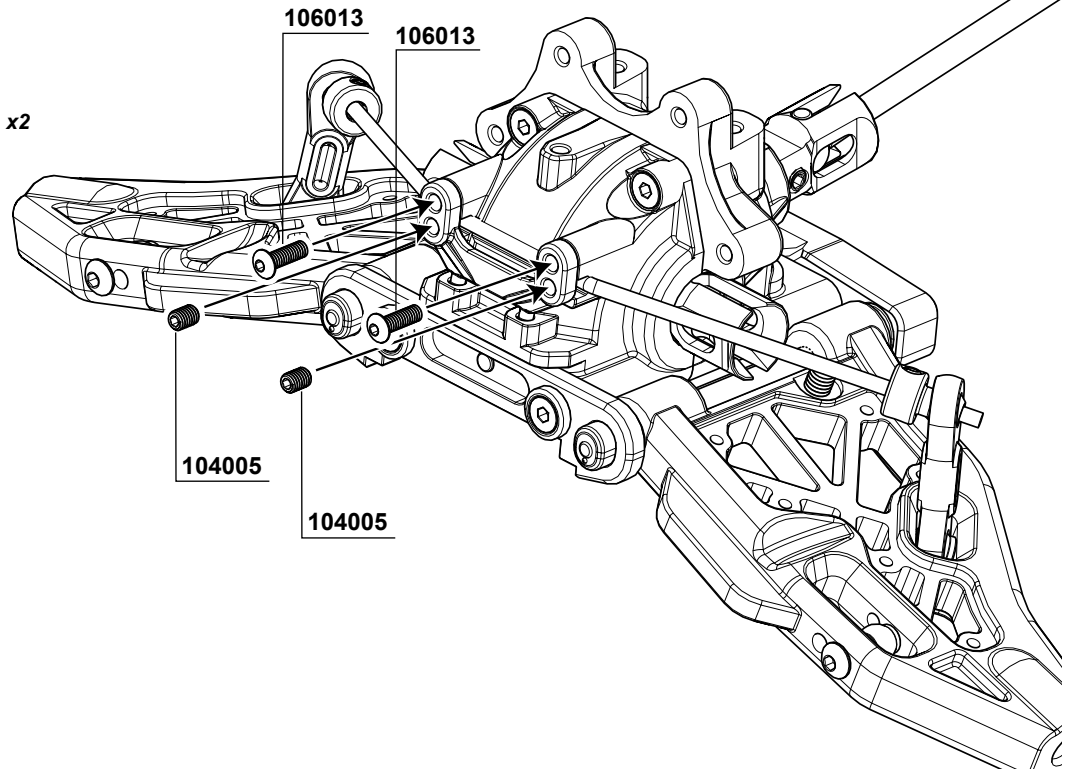


104005
M3x4mm Set Screw x2



106013
M2.5x8mmH ex Socket OH/TPScrew x2

10



108003
M3x10mm FH/ST HEX Screw x2



108006
M3x8mm FH/ST HEX Screw x2

11

Note:

The aluminum front upper arm holder (330772) can offer either 0° or + -1° kick-up for your front upper arm suspension.

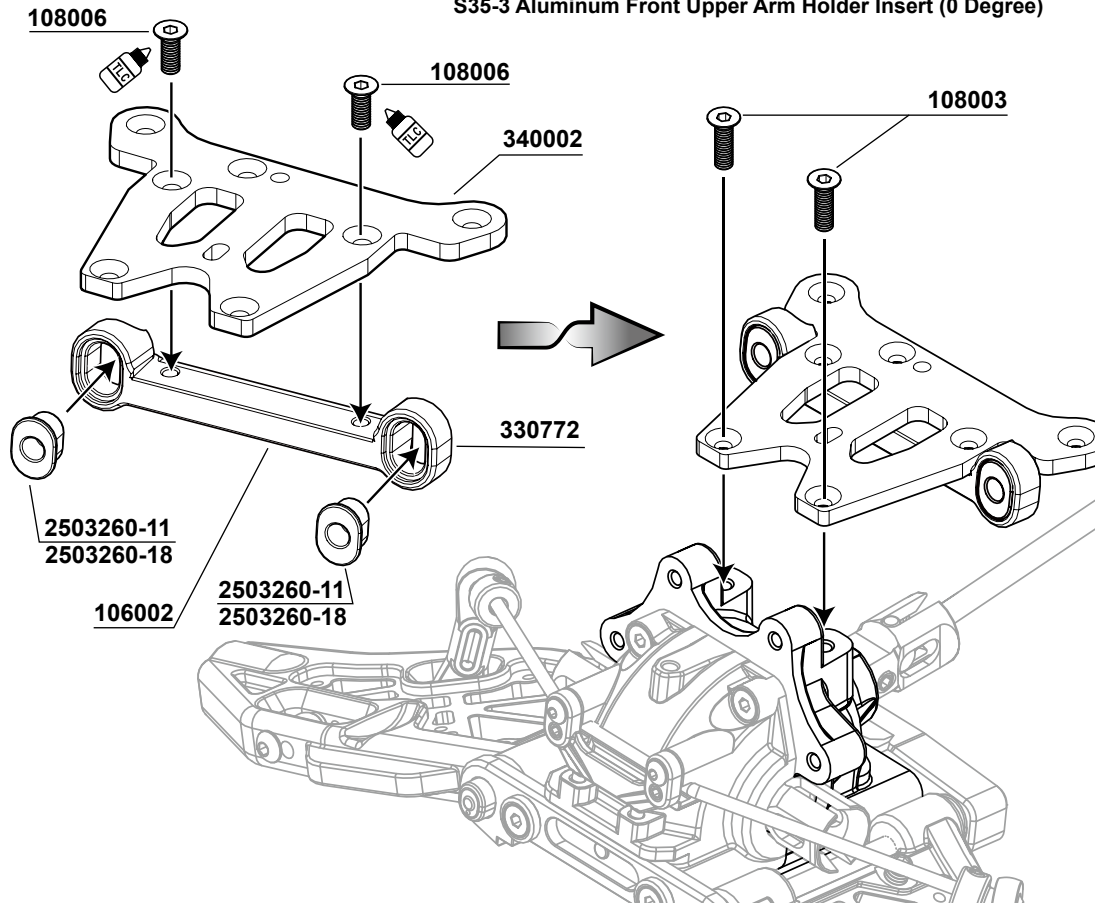
You may use the inserts 2503260-18 to get 0° kick-up or 2503260-11 to get + -1° for your front upper suspension.

2503260-11

S35-3 Aluminum Front Upper Arm Holder Insert (+/- 1.0 Degree)

2503260-18

S35-3 Aluminum Front Upper Arm Holder Insert (0 Degree)



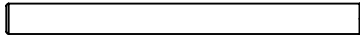
Pro Tip:
 The S35-3 Front Upper Arm Adjust Inserts can give different steering adjustments (Ackerman). Put all inserts behind the front upper arms, you will get faster steering response. Otherwise put all inserts in front of the upper arms, you will get more stable steering response. Try to use 2503260-1 or 2503260-3 to adjust the front upper arm position.



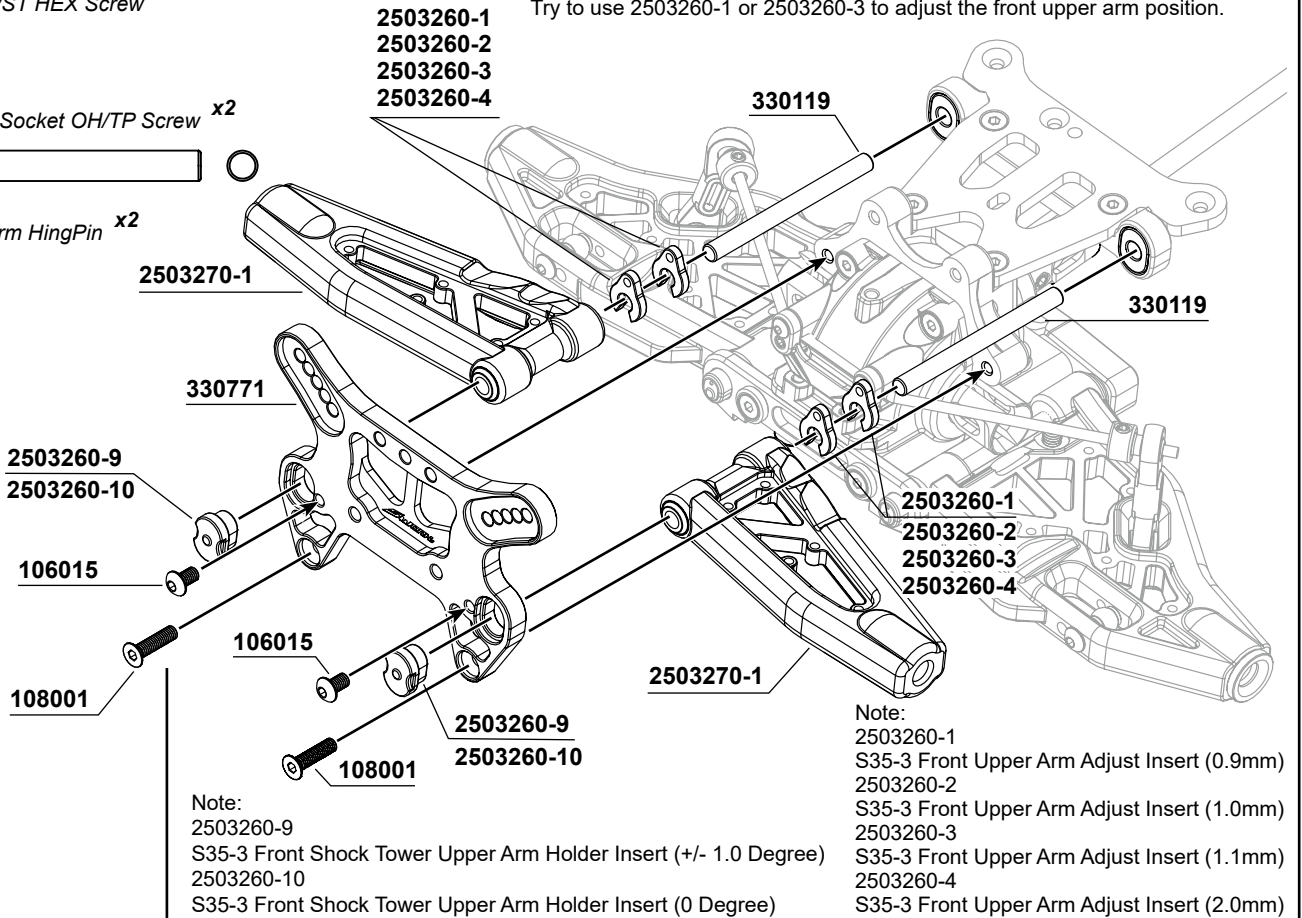
108001
 M3x12mm FH/ST HEX Screw x2



106015
 M3x5mm Hex Socket OH/TP Screw x2



330119
 Front Upper Arm Hingepin x2



Note:
 2503260-9
 S35-3 Front Shock Tower Upper Arm Holder Insert (+/- 1.0 Degree)
 2503260-10
 S35-3 Front Shock Tower Upper Arm Holder Insert (0 Degree)

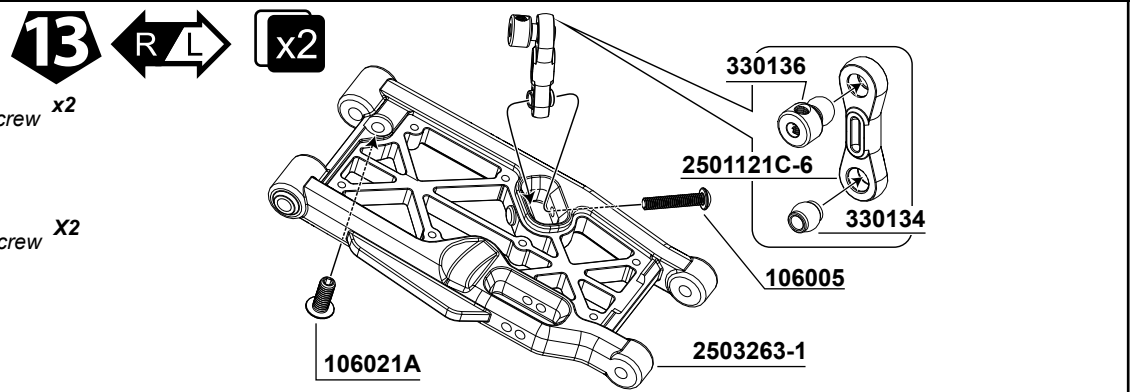
Note:
 2503260-1
 S35-3 Front Upper Arm Adjust Insert (0.9mm)
 2503260-2
 S35-3 Front Upper Arm Adjust Insert (1.0mm)
 2503260-3
 S35-3 Front Upper Arm Adjust Insert (1.1mm)
 2503260-4
 S35-3 Front Upper Arm Adjust Insert (2.0mm)



106005
 M3x15mm Hex Socket OH/TP Screw x2



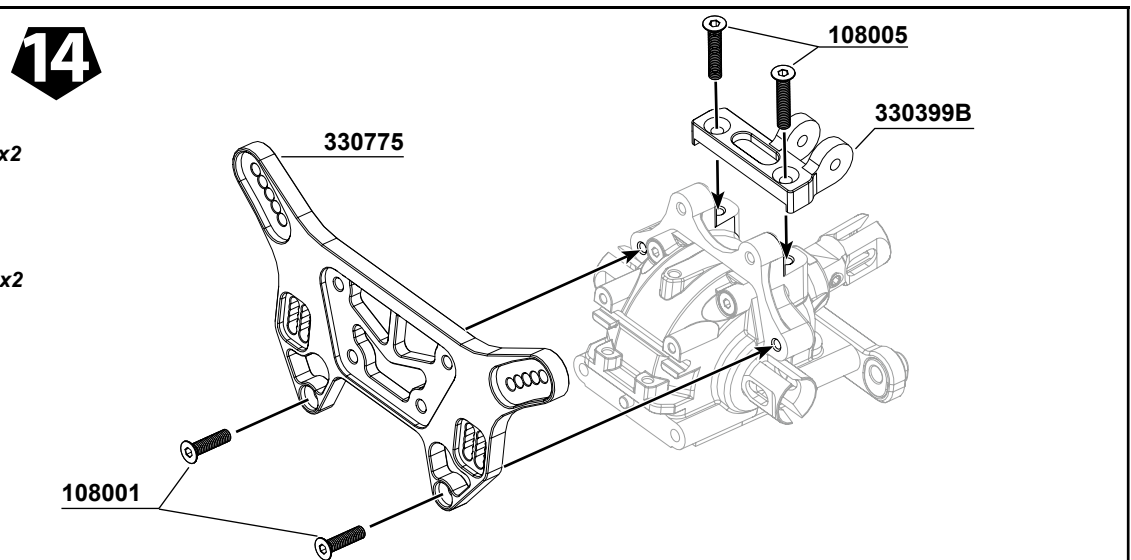
106021A
 M4x10mm Hex Socket OH/TP Screw x2



108001
 M3x12mm FH/ST HEX Screw x2

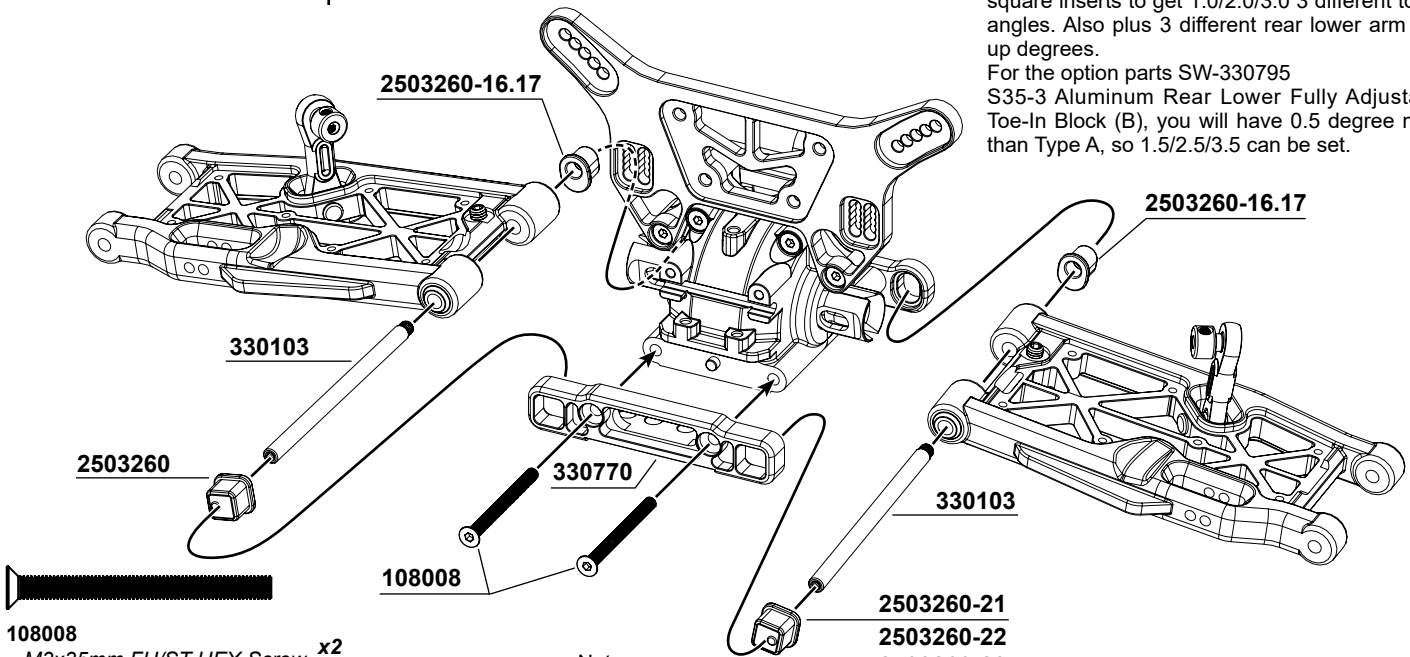


108005
 M3x14mm FH/ST HEX Screw x2



15

Pro Tip:
The S35-3 Aluminum Rear Lower Fully Adjustable Toe-In Block (A) can use 3 types of square inserts to get 1.0/2.0/3.0 3 different toe in angles. Also plus 3 different rear lower arm kick up degrees.
For the option parts SW-330795 S35-3 Aluminum Rear Lower Fully Adjustable Toe-In Block (B), you will have 0.5 degree more than Type A, so 1.5/2.5/3.5 can be set.



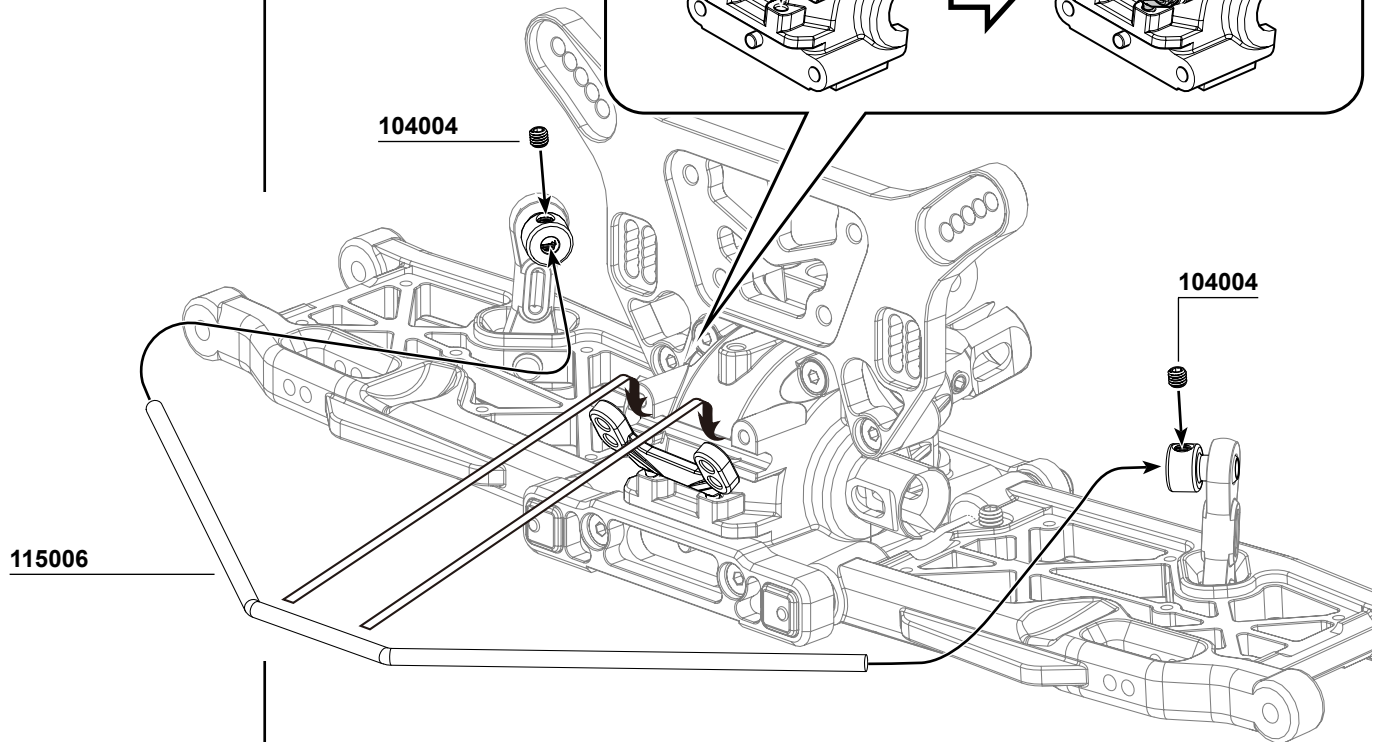
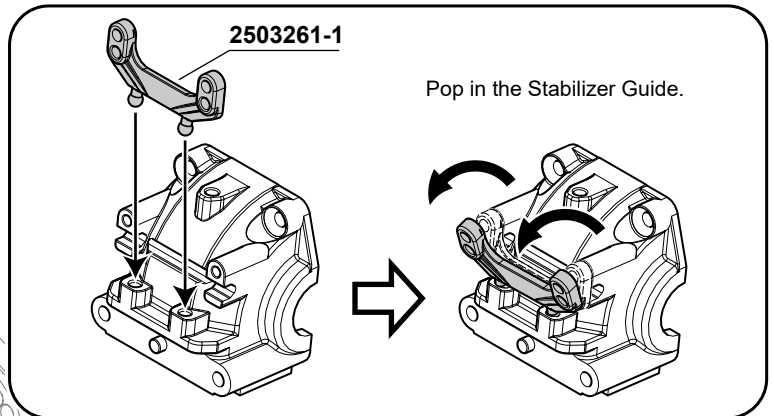
108008
M3x35mm FH/ST HEX Screw x2

330103
Front/Rear Lower Arm HingPin x2

Note:
2503260-21
S35-3 Aluminum Rear Lower Fully Adjustable Toe-In Block (A) Insert (+- 1 degree)
2503260-22
S35-3 Aluminum Rear Lower Fully Adjustable Toe-In Block (A) Insert (0 degree)
2503260-23
S35-3 Aluminum Rear Lower Fully Adjustable Toe-In Block (A) Insert (+- 1 Kick up degree)

16

104004
M3x3mm Set Screw x2



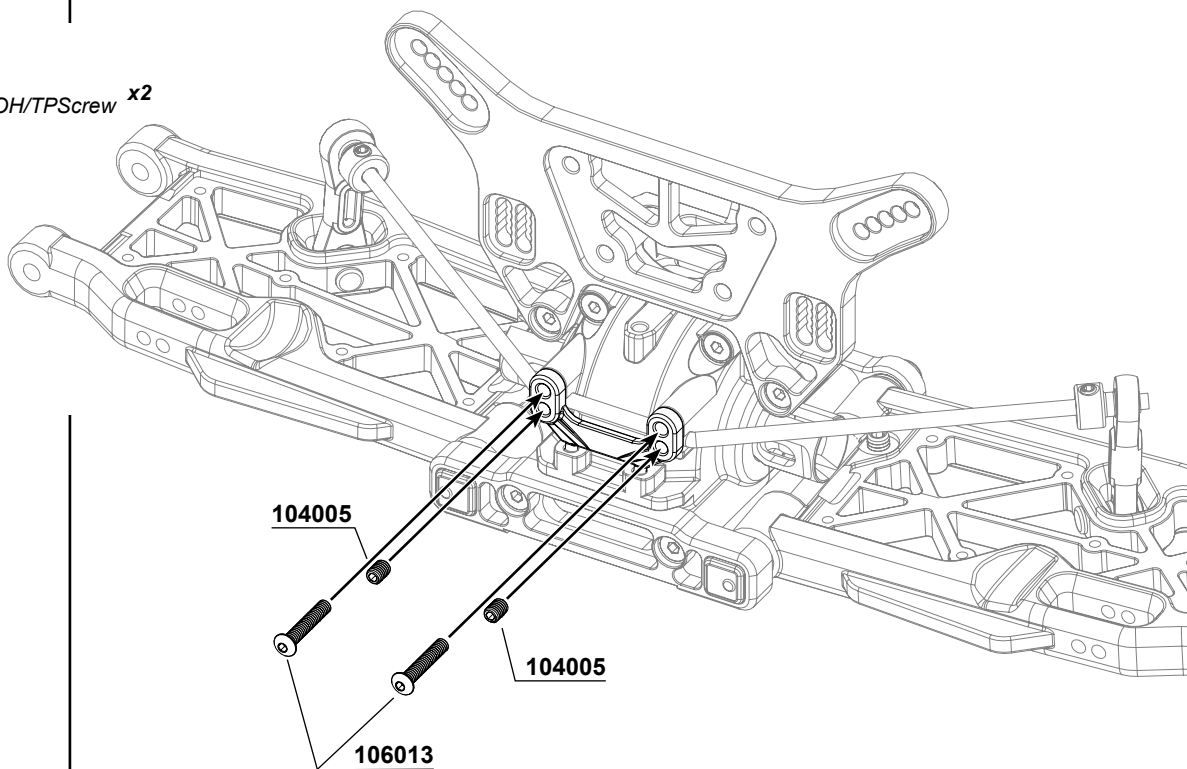


104005
M3x4mm Set Screw x2



106013
M2.5x8mmH ex Socket OH/TPScrew x2

17



BAG E2

18



103001
M3 Nut Lock x2



101021
M3x8xT1.0mm x2



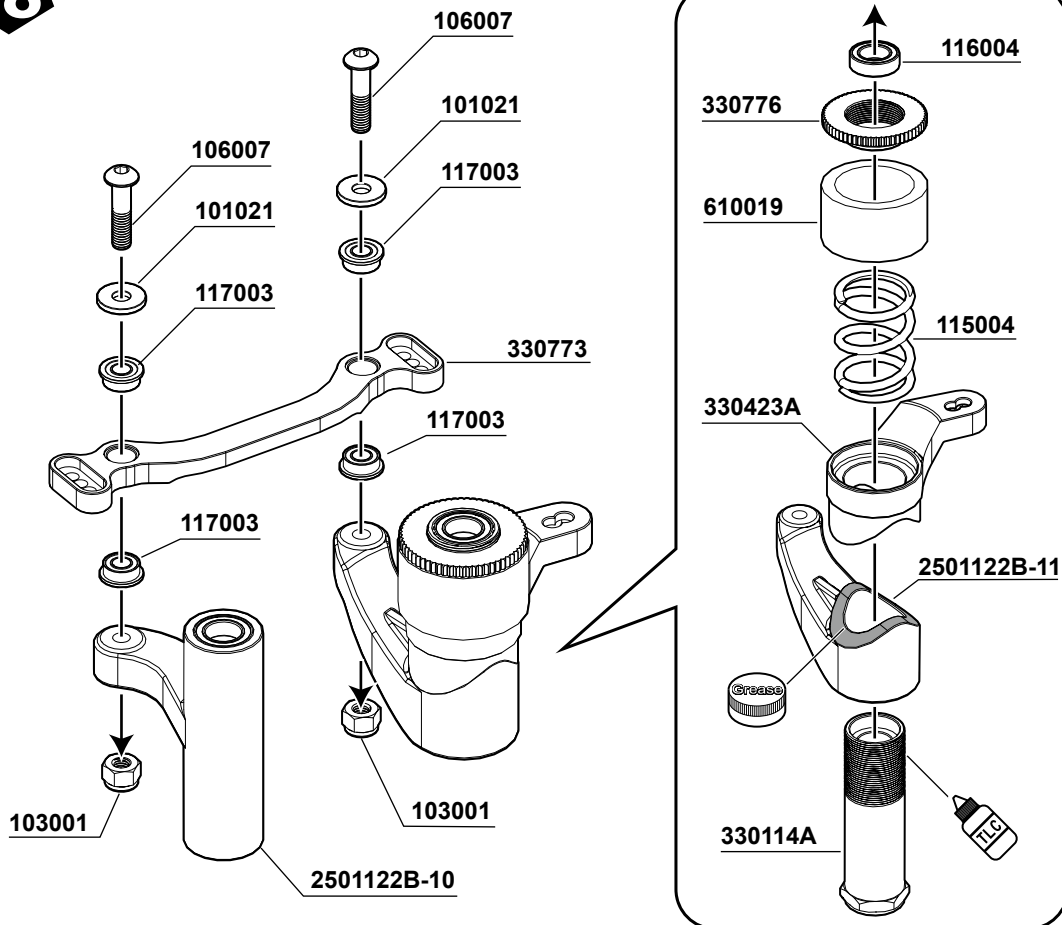
117003
Flange Ball Bearing 3x6x2.5mm x4



116004
Ball Bearing 6x10x3mm x1



106007
M3x12mm Hex Socket OH/TP Screw x2



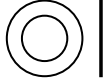
19



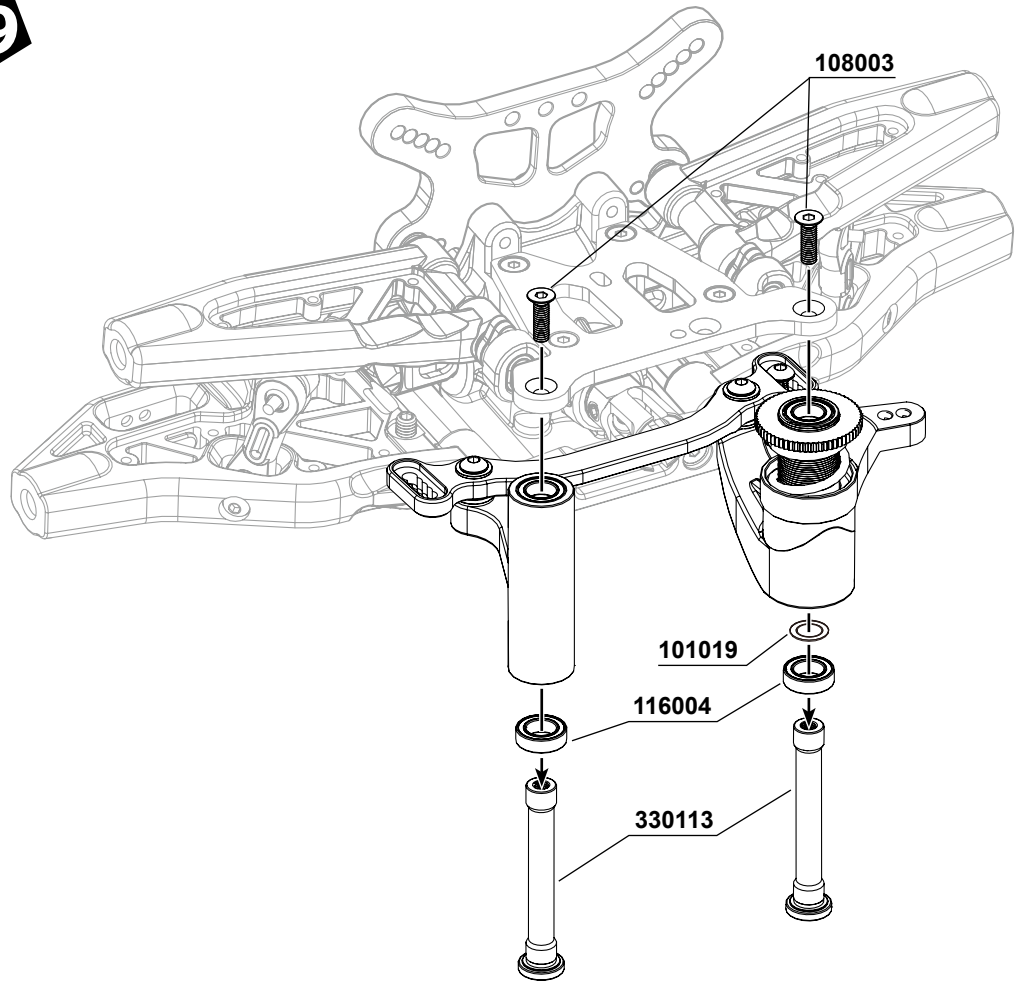
108003
M3x10mm FH/ST HEX Screw x2



116004
Ball Bearing 6x10x3mm x2



101019
SHIM 6.0x10.0x0.2mm x1

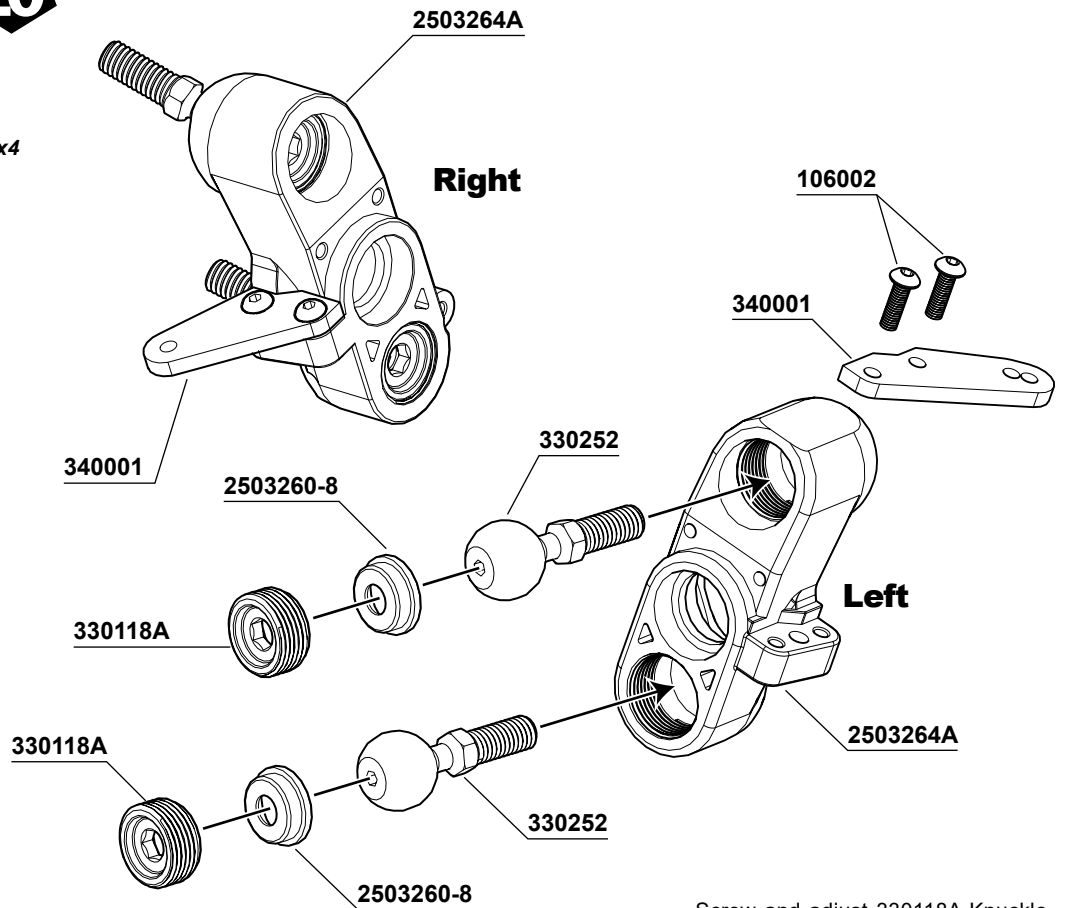


BAG E3

20

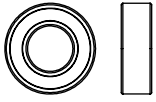


106002
M3x10mm Hex Socket OH/TP Screw x4



Screw and adjust 330118A Knuckle
Pivot Ball Nut so as the pivot ball can
be moved smoothly.

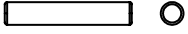
21



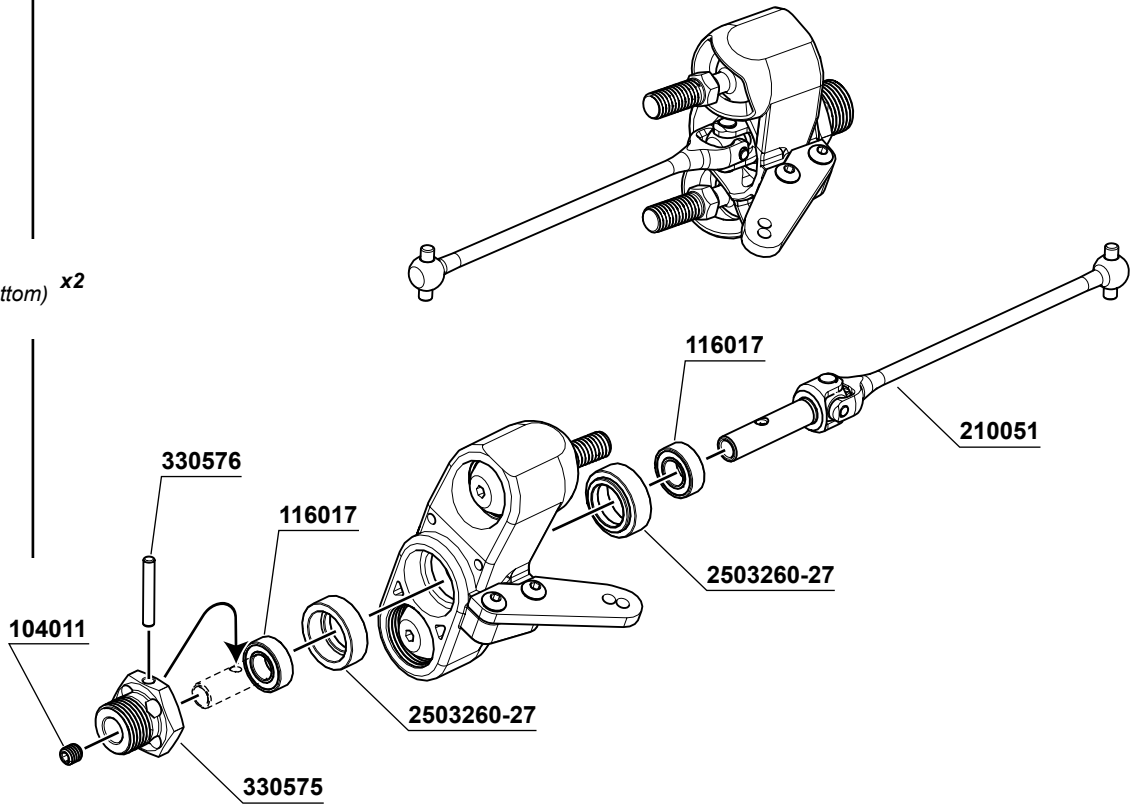
116017
Ball Bearing 6x12x4mm **x4**



104011
M4x4mm Set Screw (Flat Bottom) **x2**



330576
Pin M2.5x16.8m **x2**



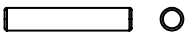
22



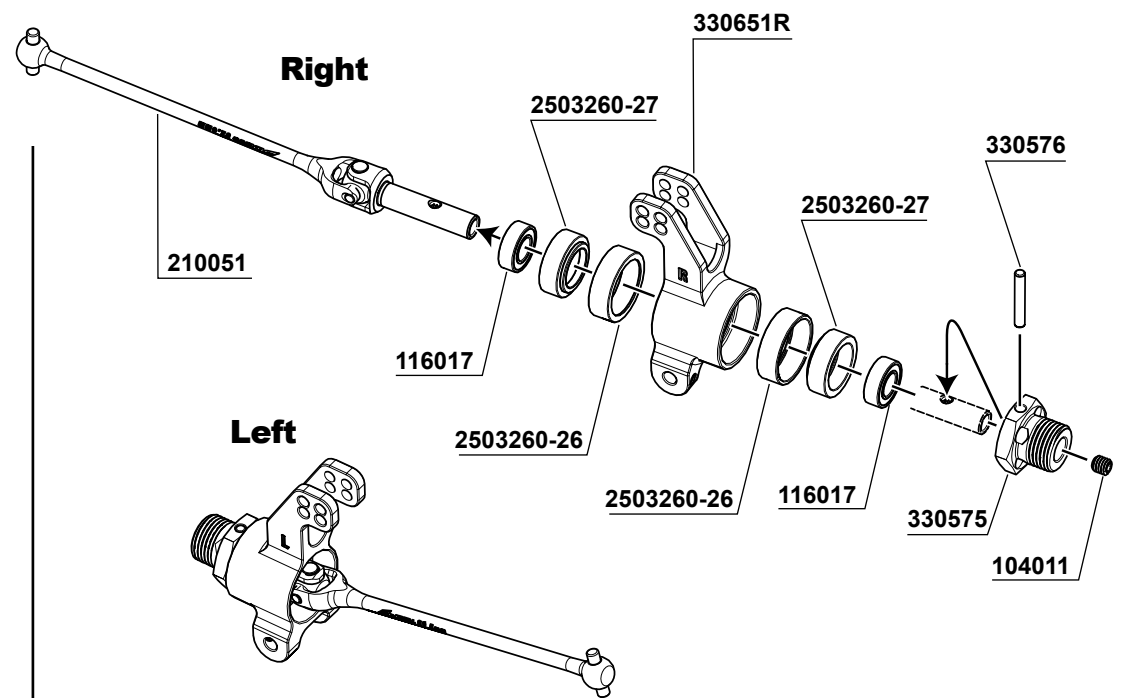
116017
Ball Bearing 6x12x4mm **x4**



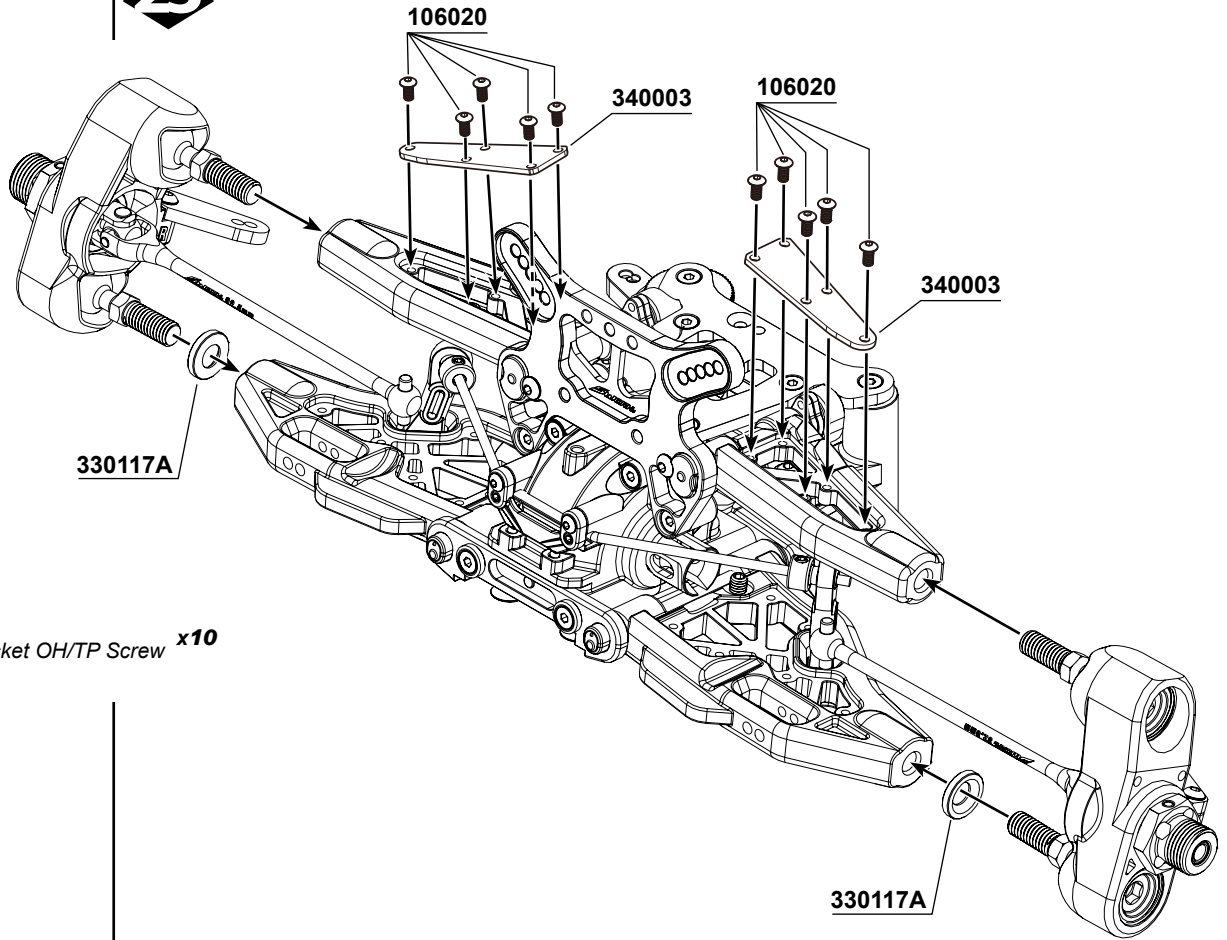
104011
M4x4 Set Screw **x2**



330576
Pin M2.5x16.8m **x2**

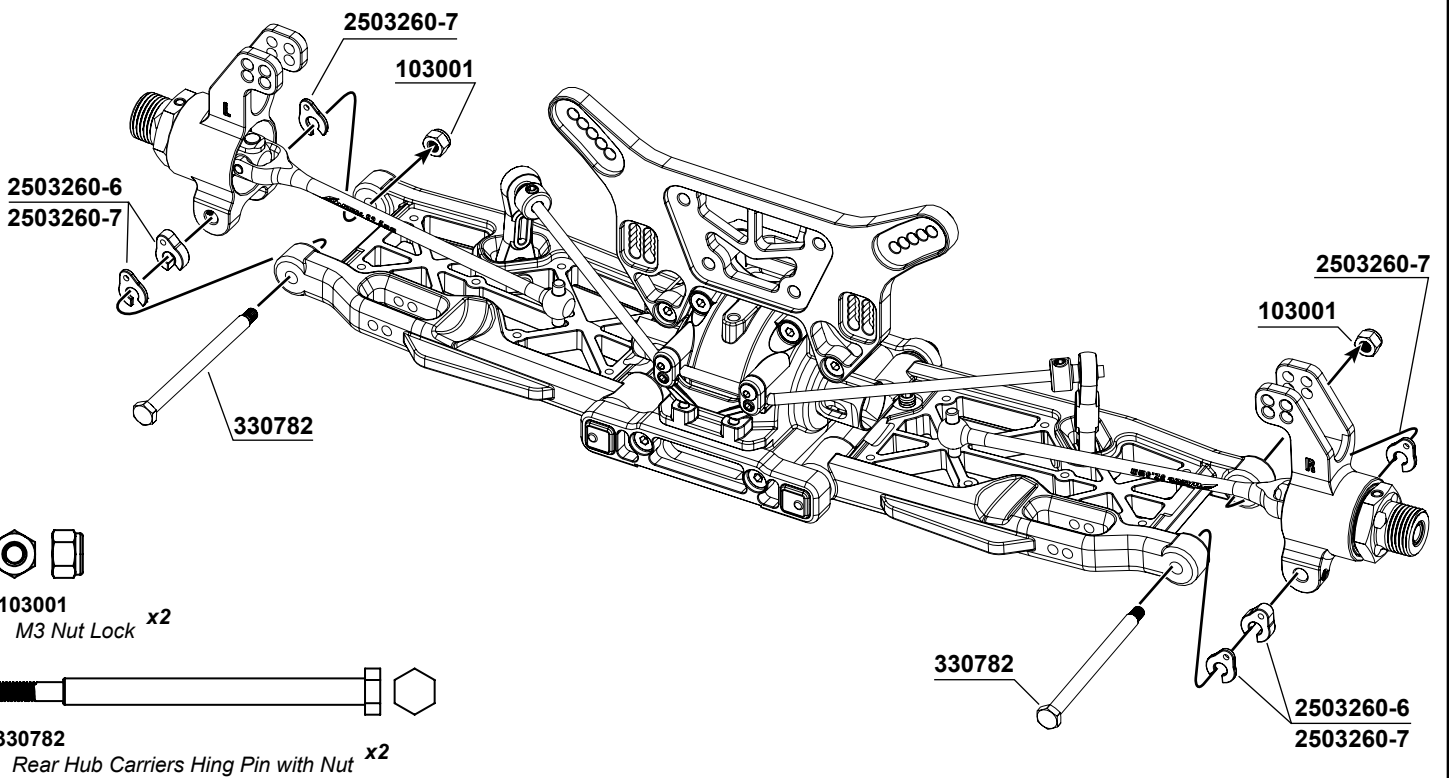


23



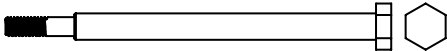

106020
M2.5x5mm Hex Socket OH/TP Screw **x10**

24



2503260-6
2503260-7

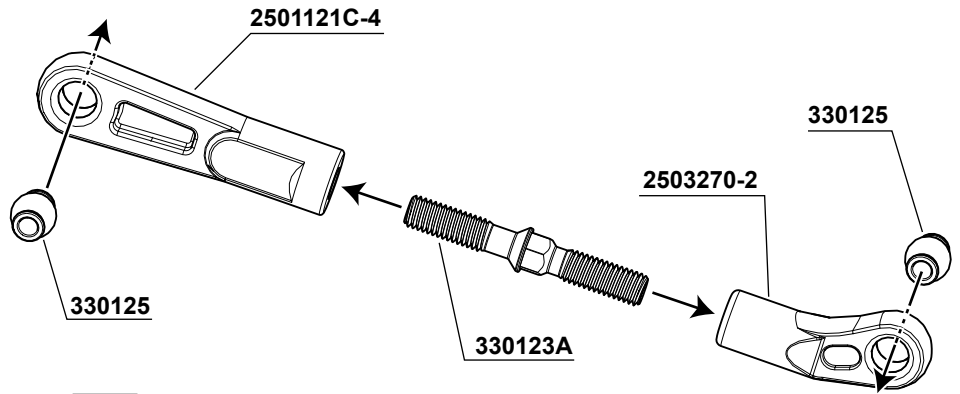

103001
M3 Nut Lock **x2**


330782
Rear Hub Carriers Hing Pin with Nut **x2**

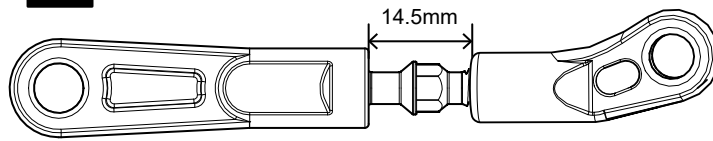
25 **R L** **x2**



330123A
Rear Upper Sus. Arm Turnbuckles **x2**



1:1



26



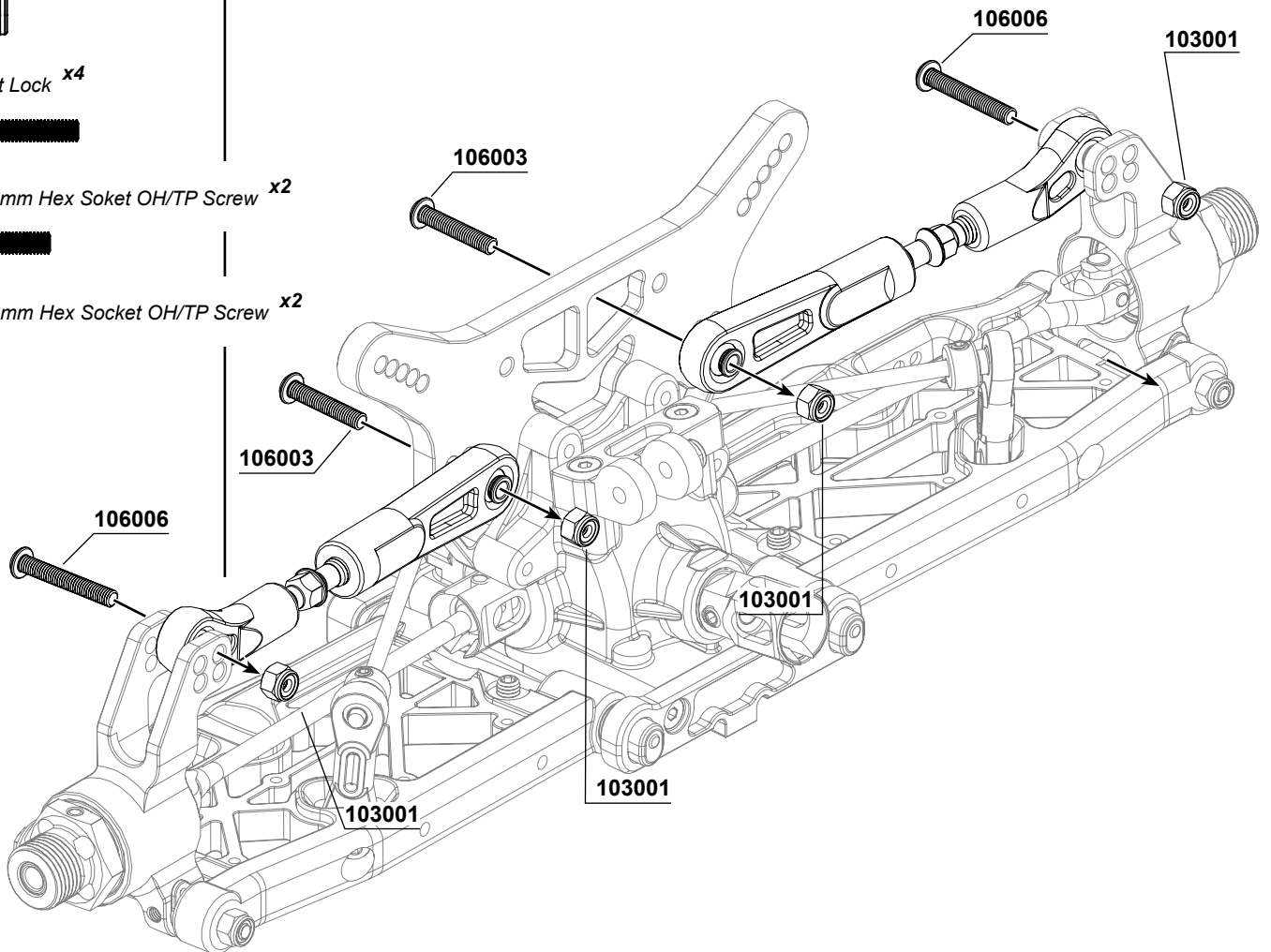
103001
M3 Nut Lock **x4**



106006
M3x20mm Hex Socket OH/TP Screw **x2**



106003
M3x16mm Hex Socket OH/TP Screw **x2**





103001
M3 Nut Lock x2



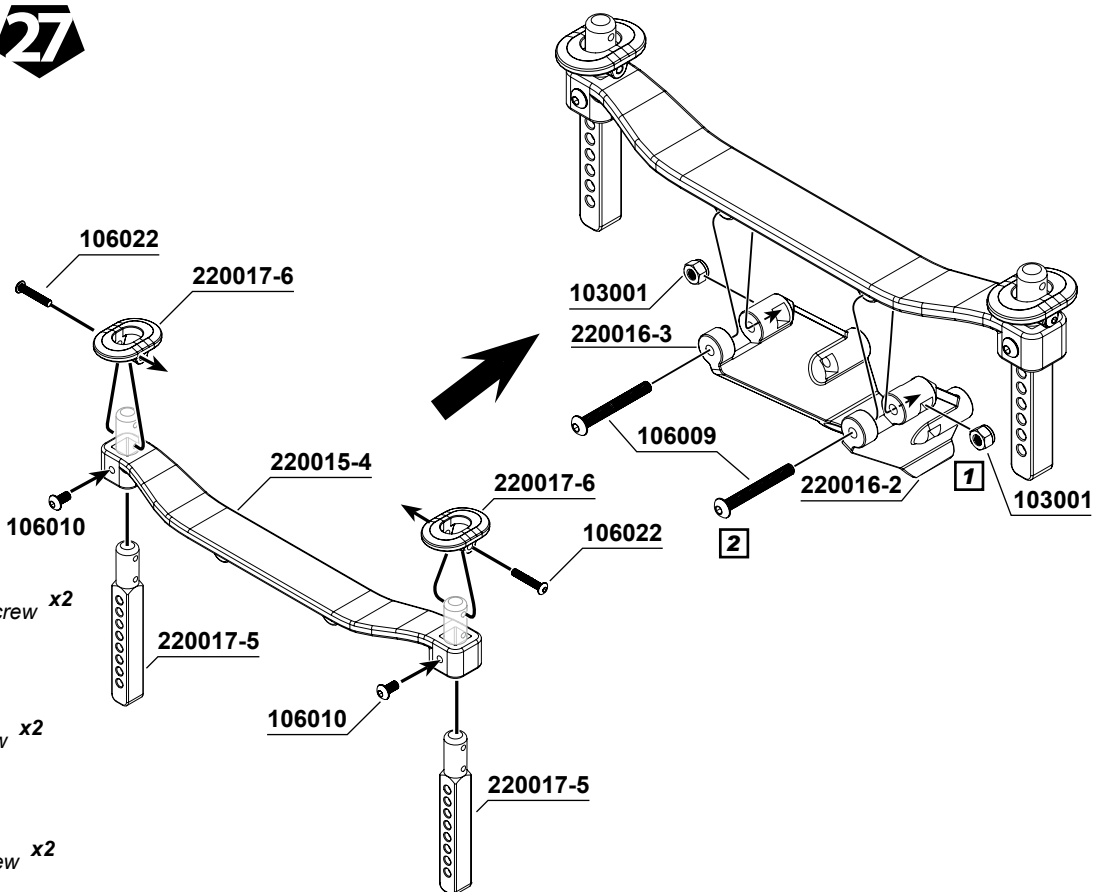
106022
M2.5x14mm Hex Socket OH/TP Screw x2



106010
M3x6mm Hex Socket OH/TP Screw x2



106009
M3x25mm Hex Socket OH/TP Screw x2



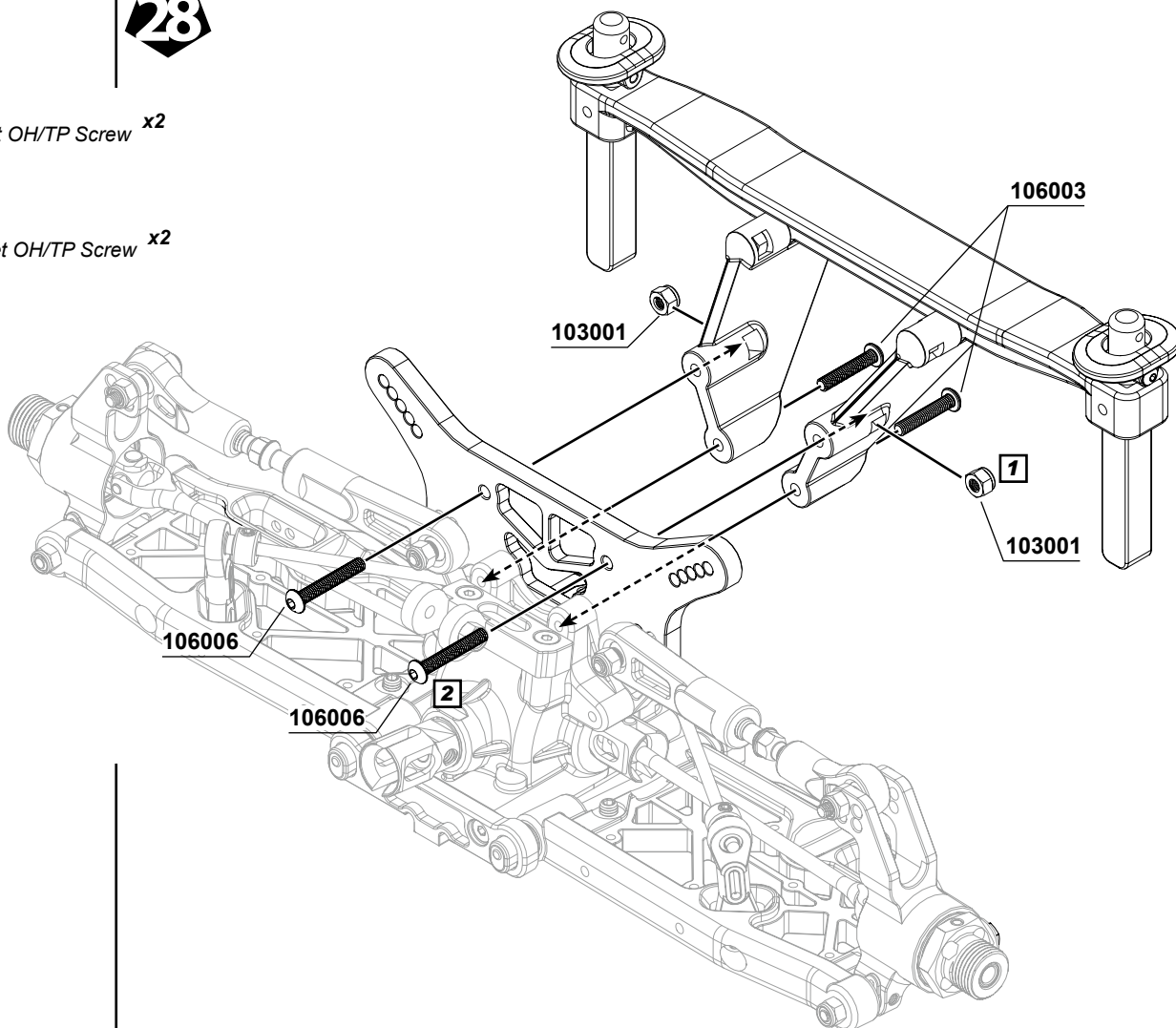
106006
M3x20mm Hex Socket OH/TP Screw x2



106003
M3x16mm Hex Socket OH/TP Screw x2

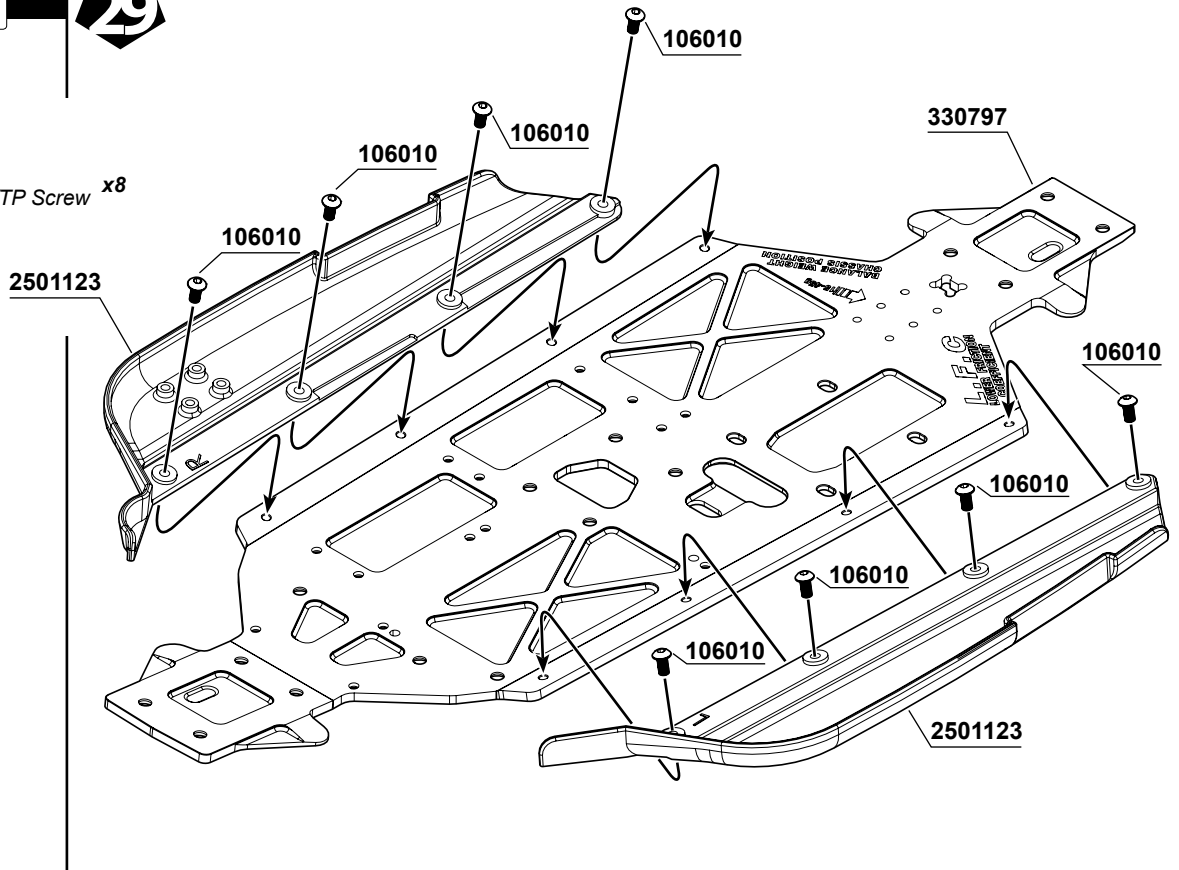


103001
M3 Nut Lock x2





106010
M3x6mm Hex Soket OH/TP Screw x8



106002
M3x10mm Hex Soket OH/TP Screw x1



106008
M3x12mm Hex Soket OH/TP Screw x2



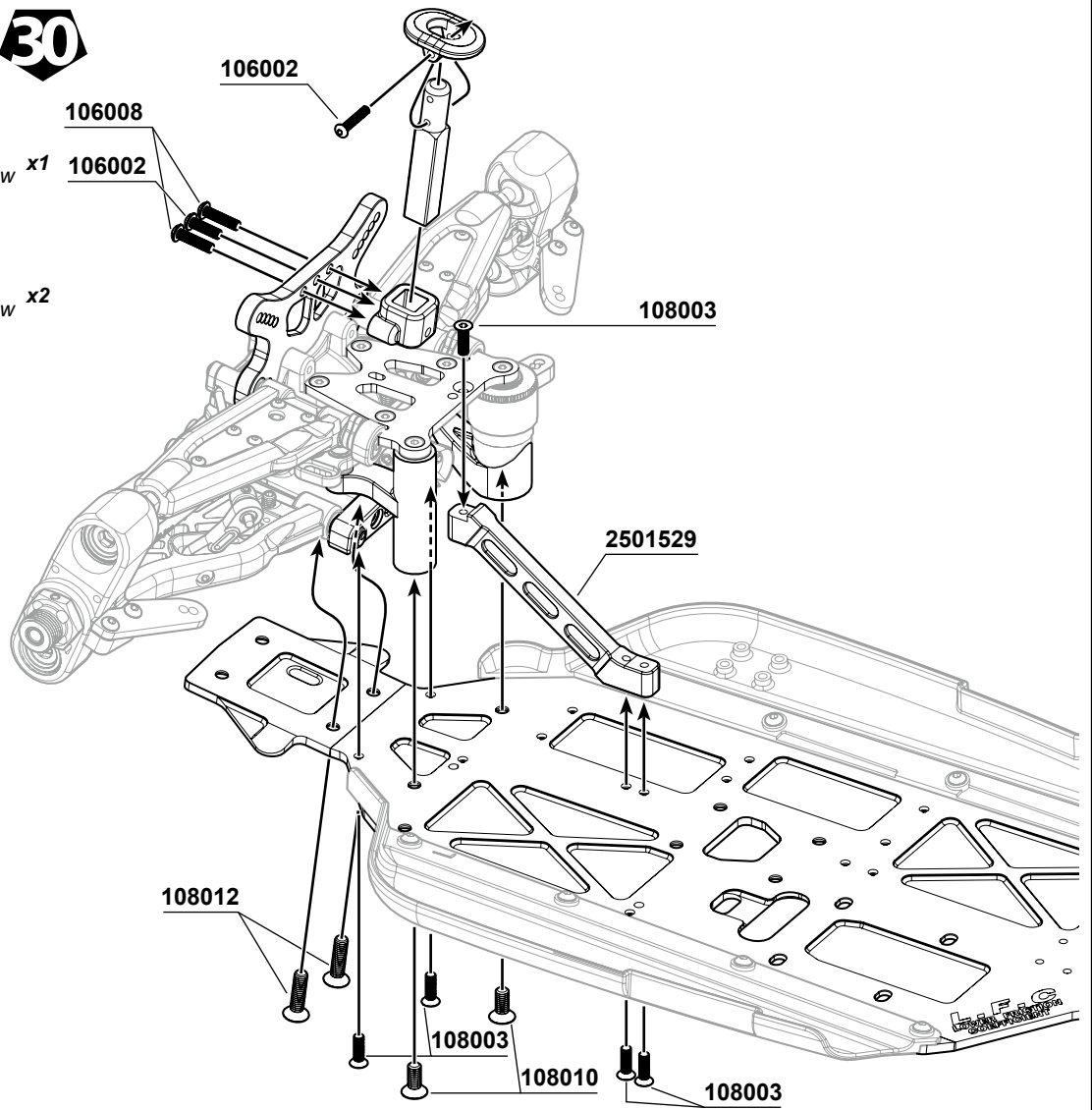
108003
M3x10mm FH/ST HEX Screw x5

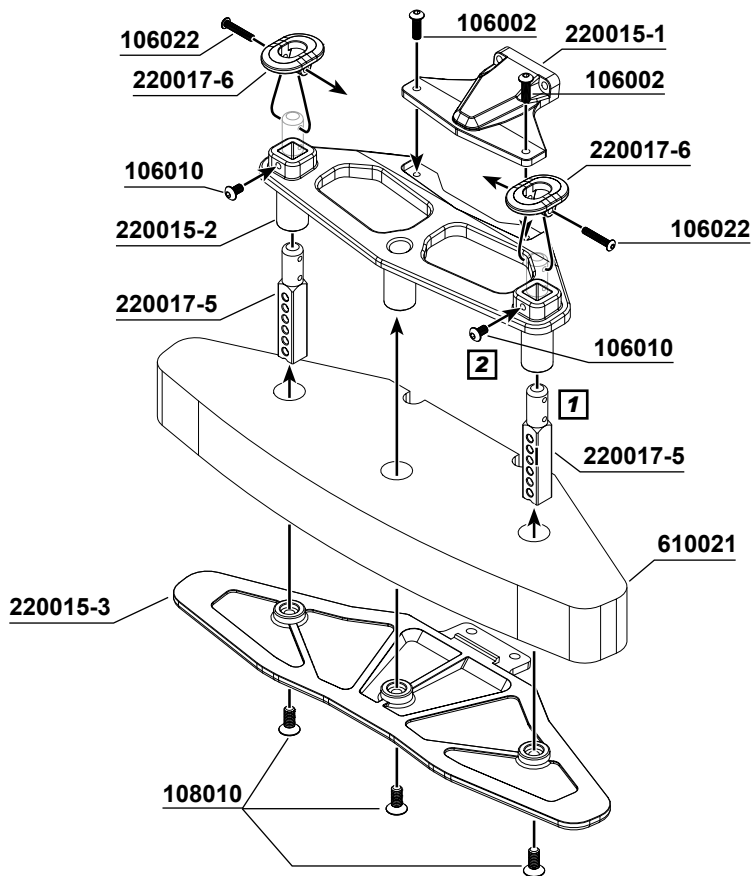
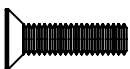
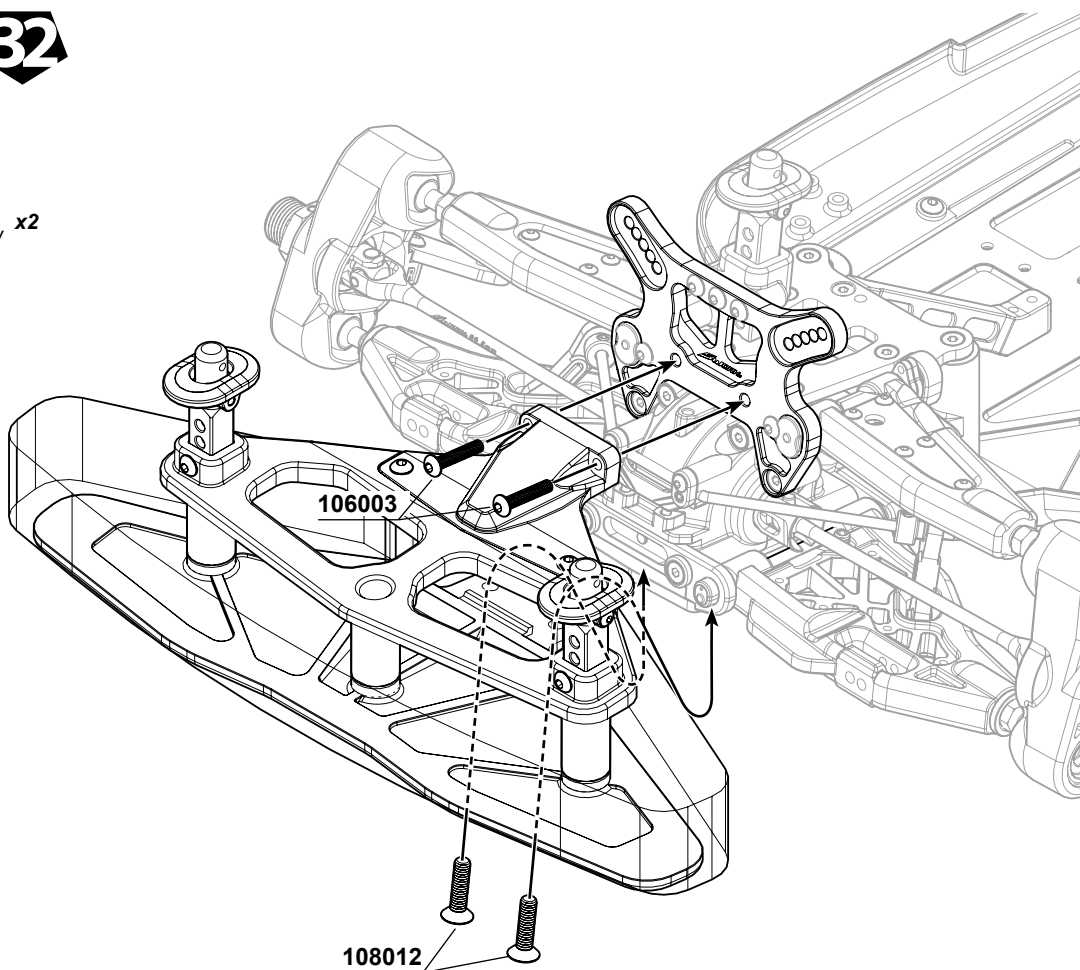


108010
M4x10mm FH/ST HEX Screw x2



108012
M4x16mm FH/ST HEX Screw x2



31**106022**
M2.5x14mm Hex Soket OH/TP Screw x2**106010**
M3x6mm Hex Soket OH/TP Screw x2**106002**
M3x10mm Hex Soket OH/TP Screw x2**108010**
M4x10mm FH/ST HEX Screw x3**32****106003**
M3x16mm Hex Soket OH/TP Screw x2**108012**
M4x16mm FH/ST HEX Screw x2

33



108012
M4x16mm FH/ST HEX Screw x4



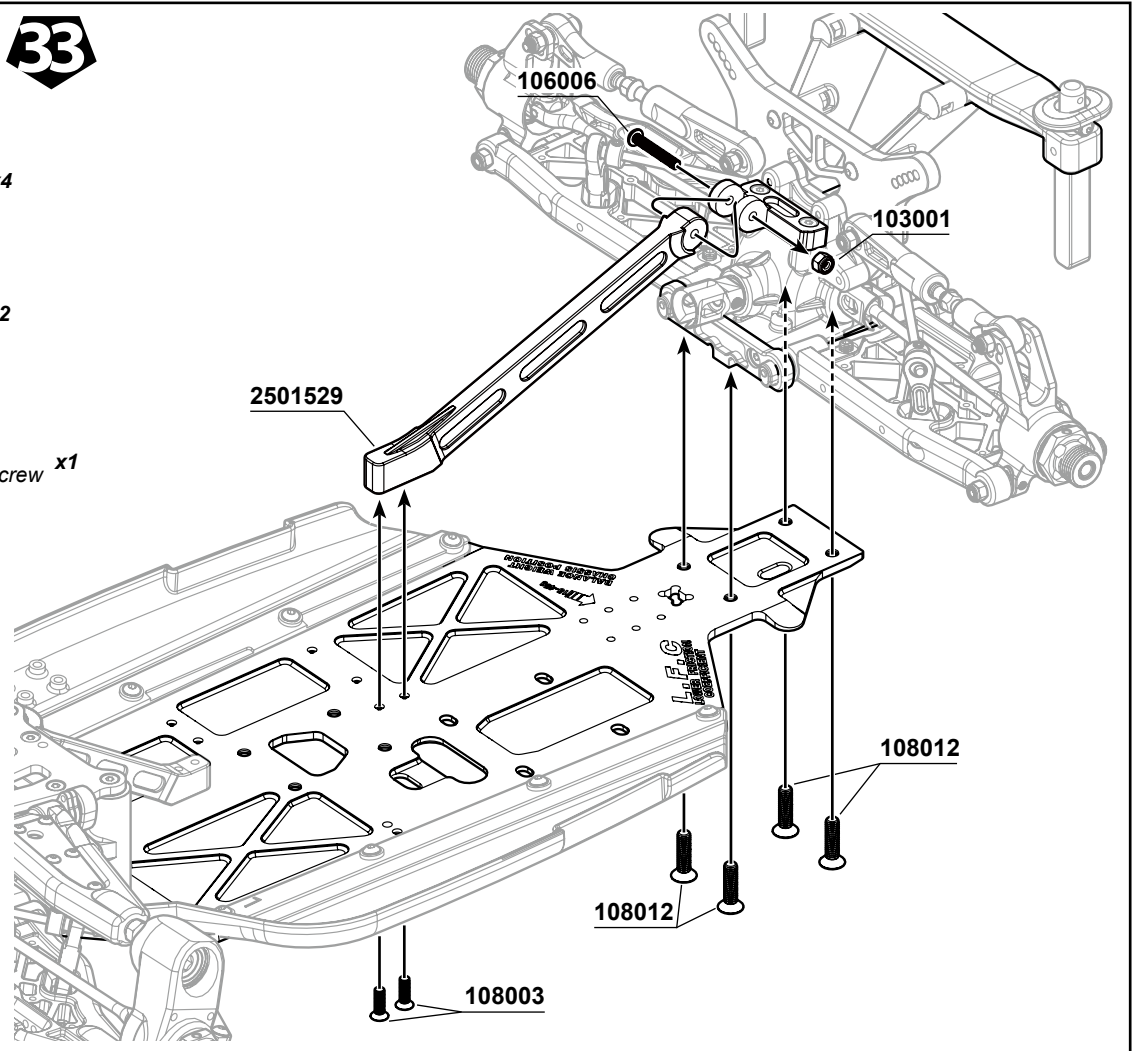
108003
M3x10mm FH/ST HEX Screw x2



106006
M3x20mm Hex Socket OH/TP Screw x1



103001
M3 Nut Lock x1



34



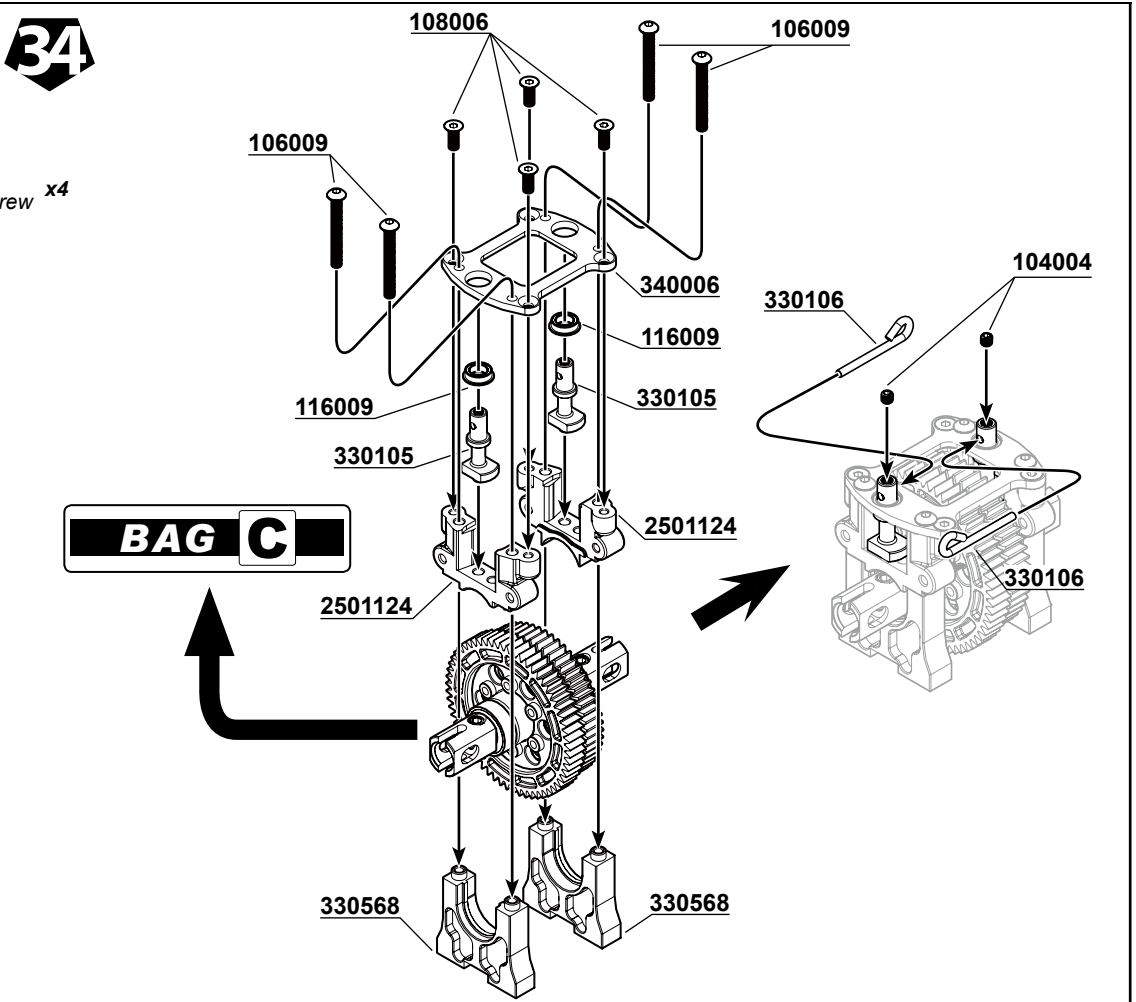
106009
M3x25mm Hex Socket OH/TP Screw x4



108006
M3x8mm FH/ST HEX Screw x4



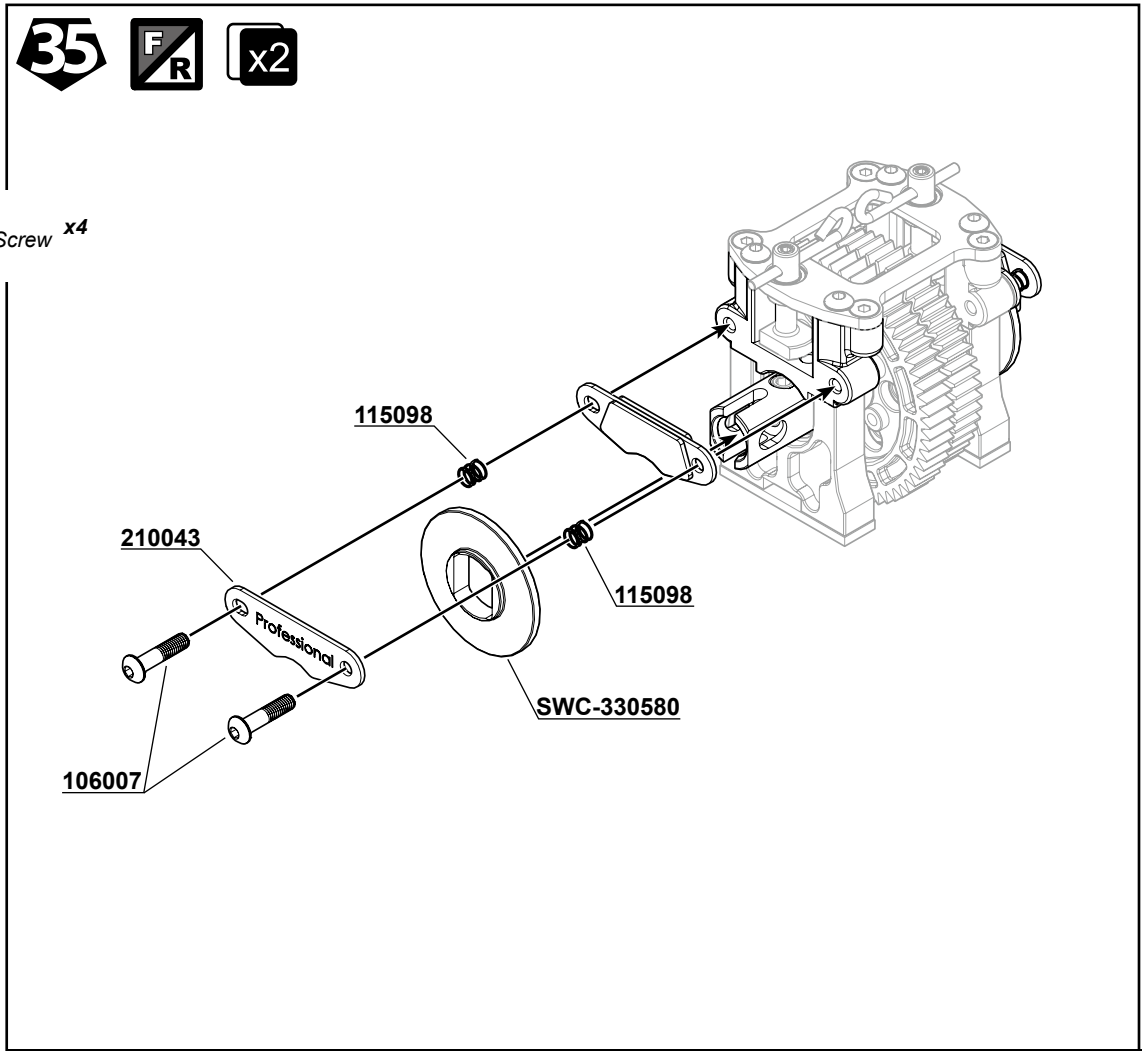
104004
M3x3mm Set Screw x2



35 **F**
R **x2**



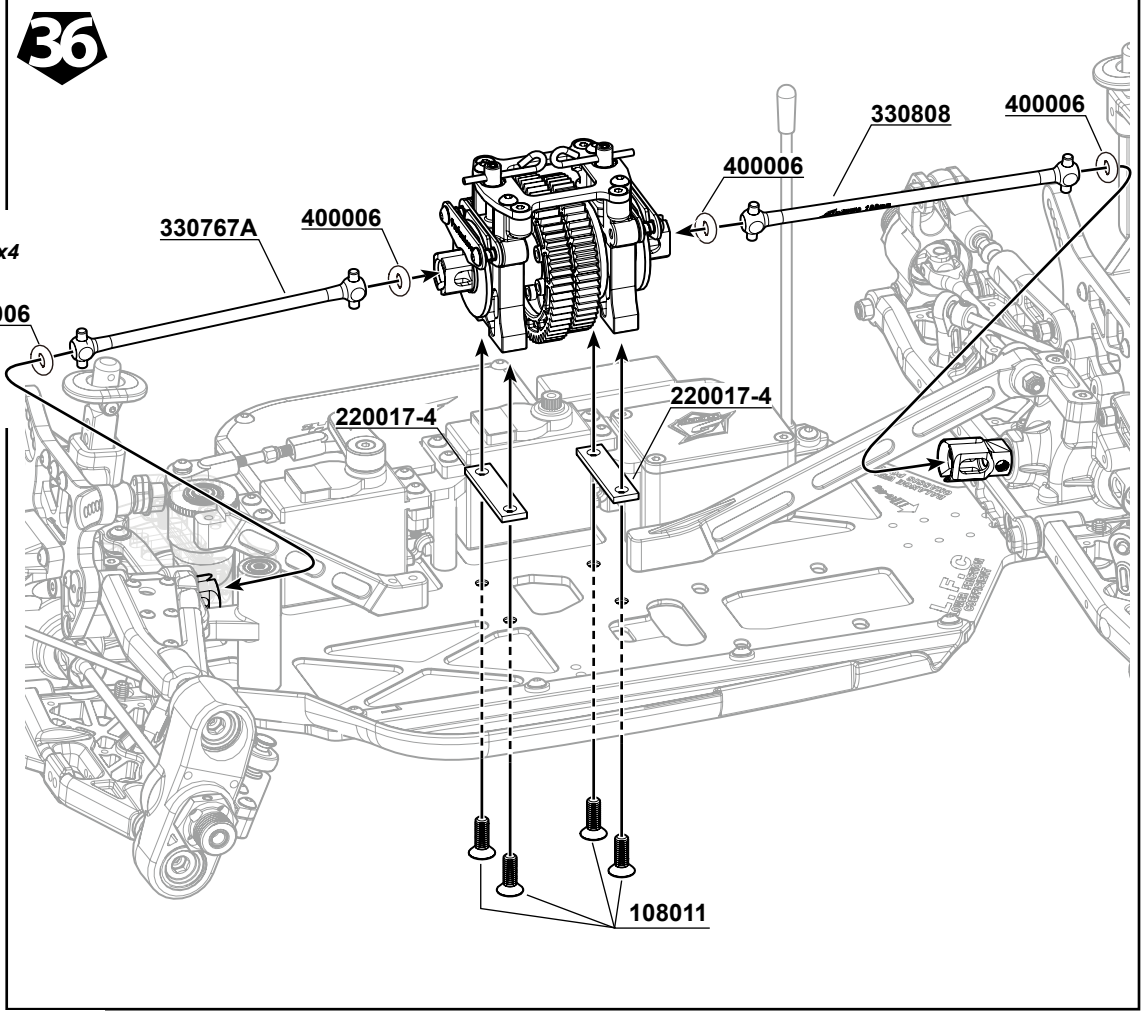
106007
M3x12mm Hex Socket OH/TP Screw x4

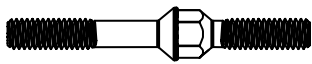


400006
Shock Seal O-Ring x4

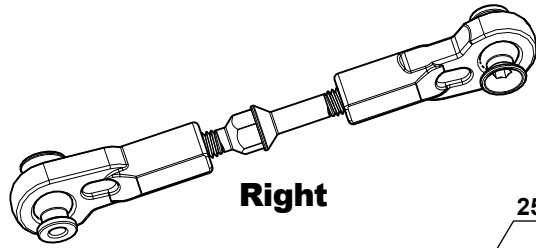


108011
M3x12mm FH/ST HEX Screw x4

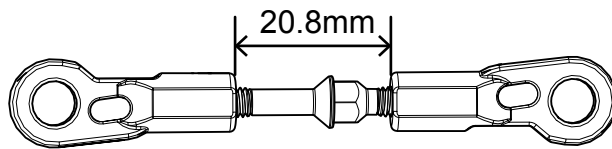
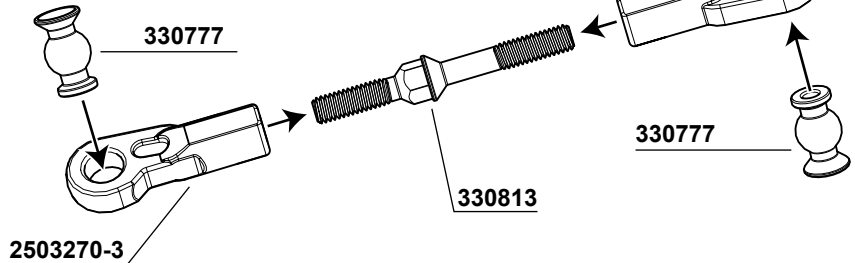




330126A
Steering Turnbuckle **x2**

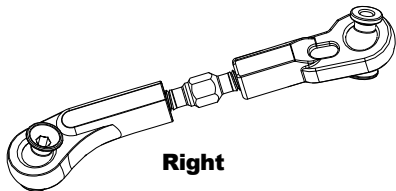


Right

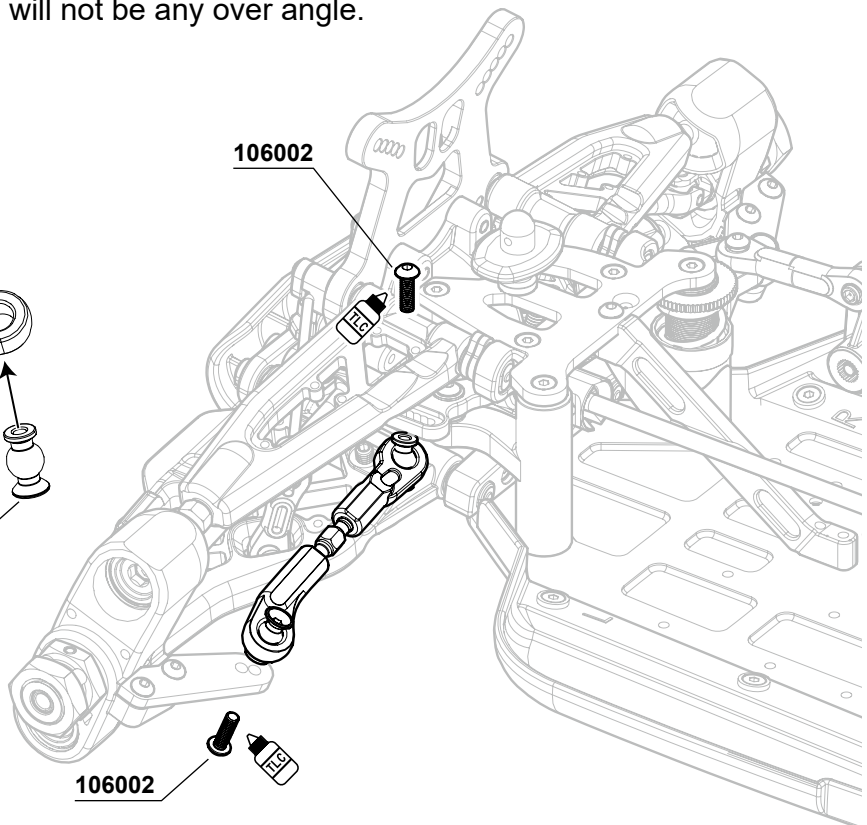
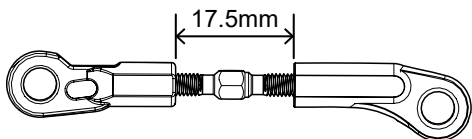
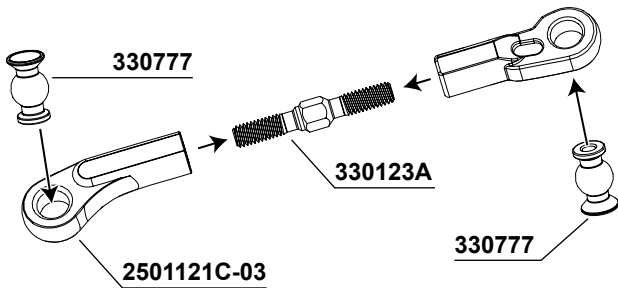


S35-3/E Steering curve ball end additional manual

We suggest when you are using the back holes for the S35-3 and S353/E steering ackerman plate, try using the curve ball plastic end on the outside steering linkage ball. This way the steering will improve and the response will be smoother, there will not be any over angle.



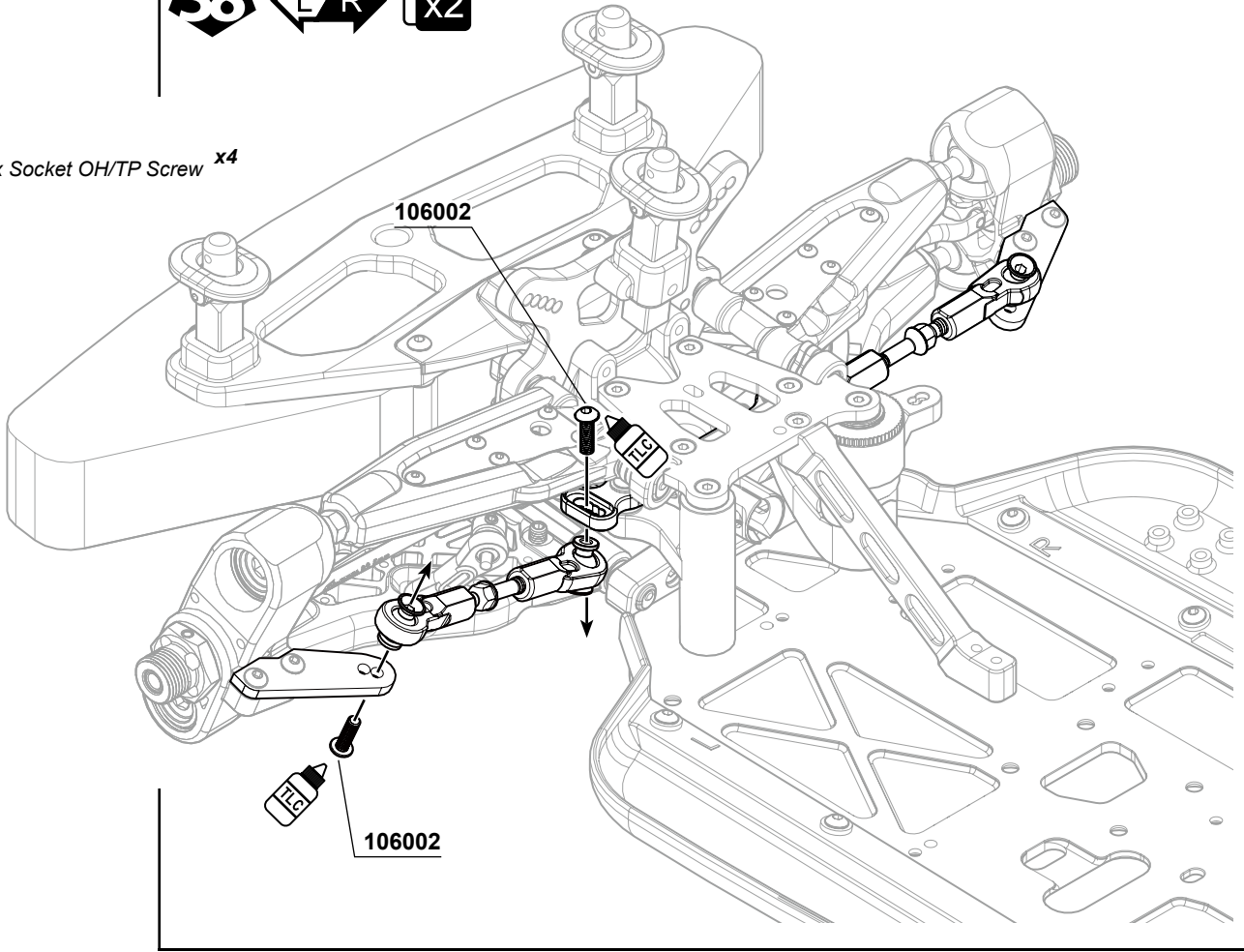
Right



38  **x2**



106002
M3x10mm Hex Socket OH/TP Screw **x4**



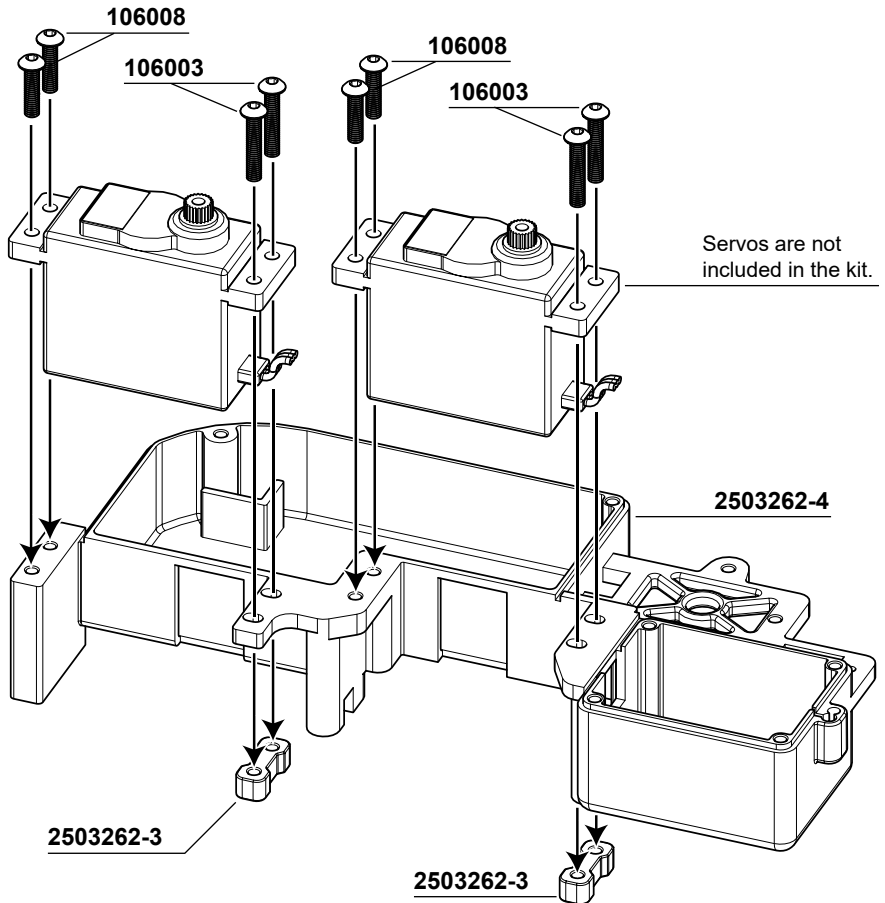
39



106008
M3x12mm Hex Soked OH/TP Screw **x4**



106005
M3x15mm Hex Soked OH/TP Screw **x4**





103001
M3 Nut Lock x2

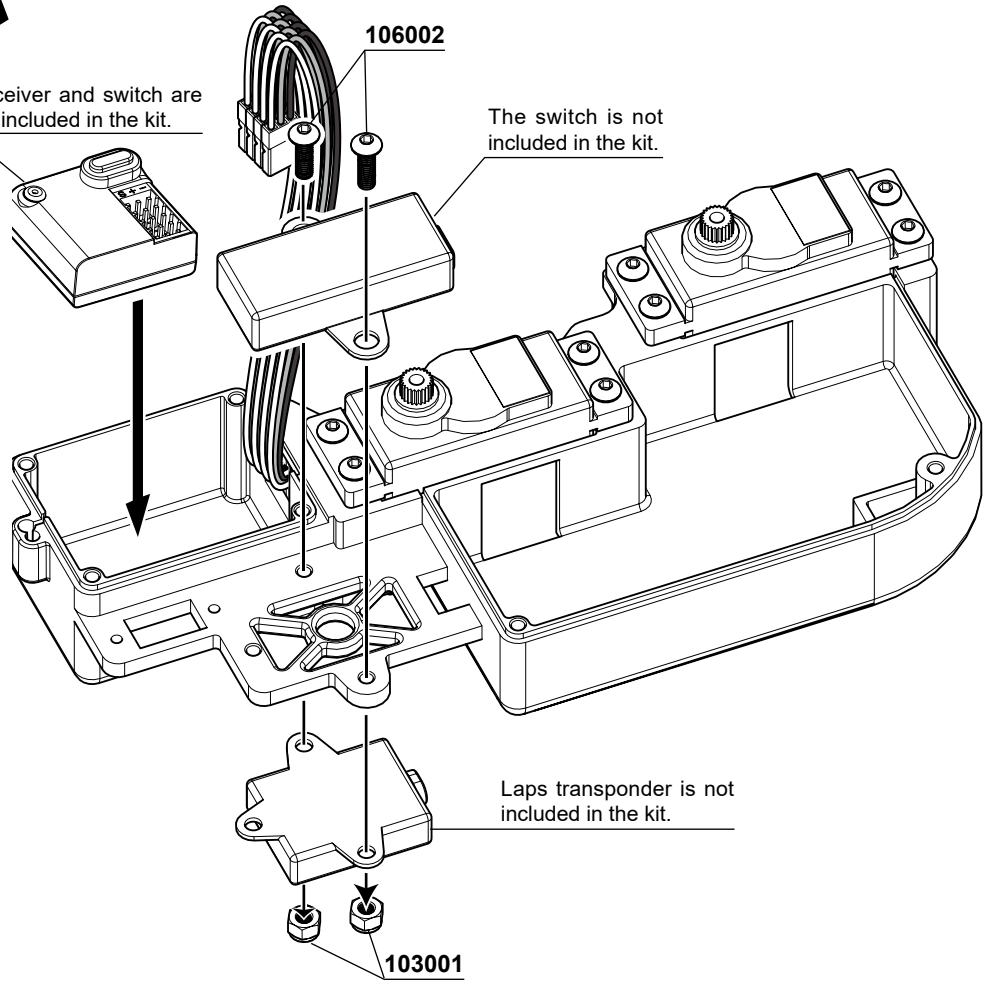


106002
M3x10mm Hex Socket OH/TP Screw x3

40

Receiver and switch are not included in the kit.

The switch is not included in the kit.



Laps transponder is not included in the kit.

103001

BAG G

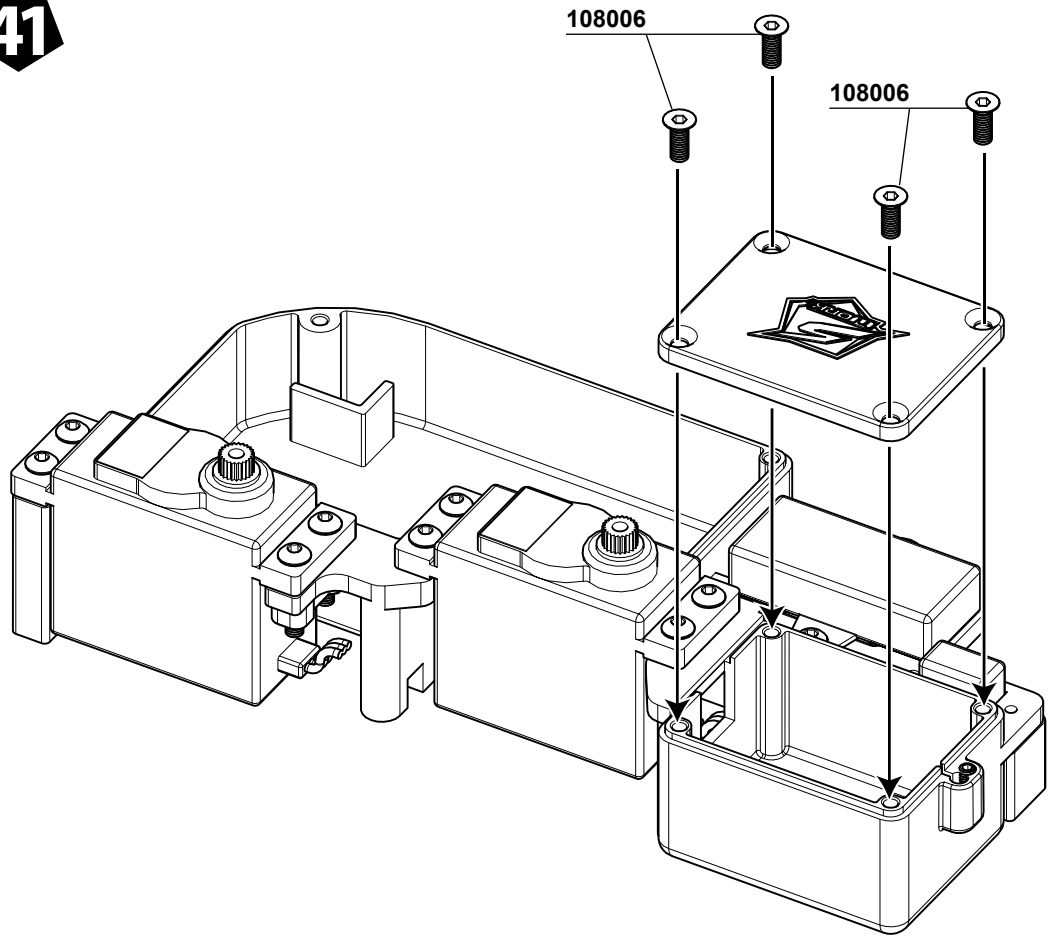
41



108006
M3x8mm FH/ST HEX Screw x4

108006

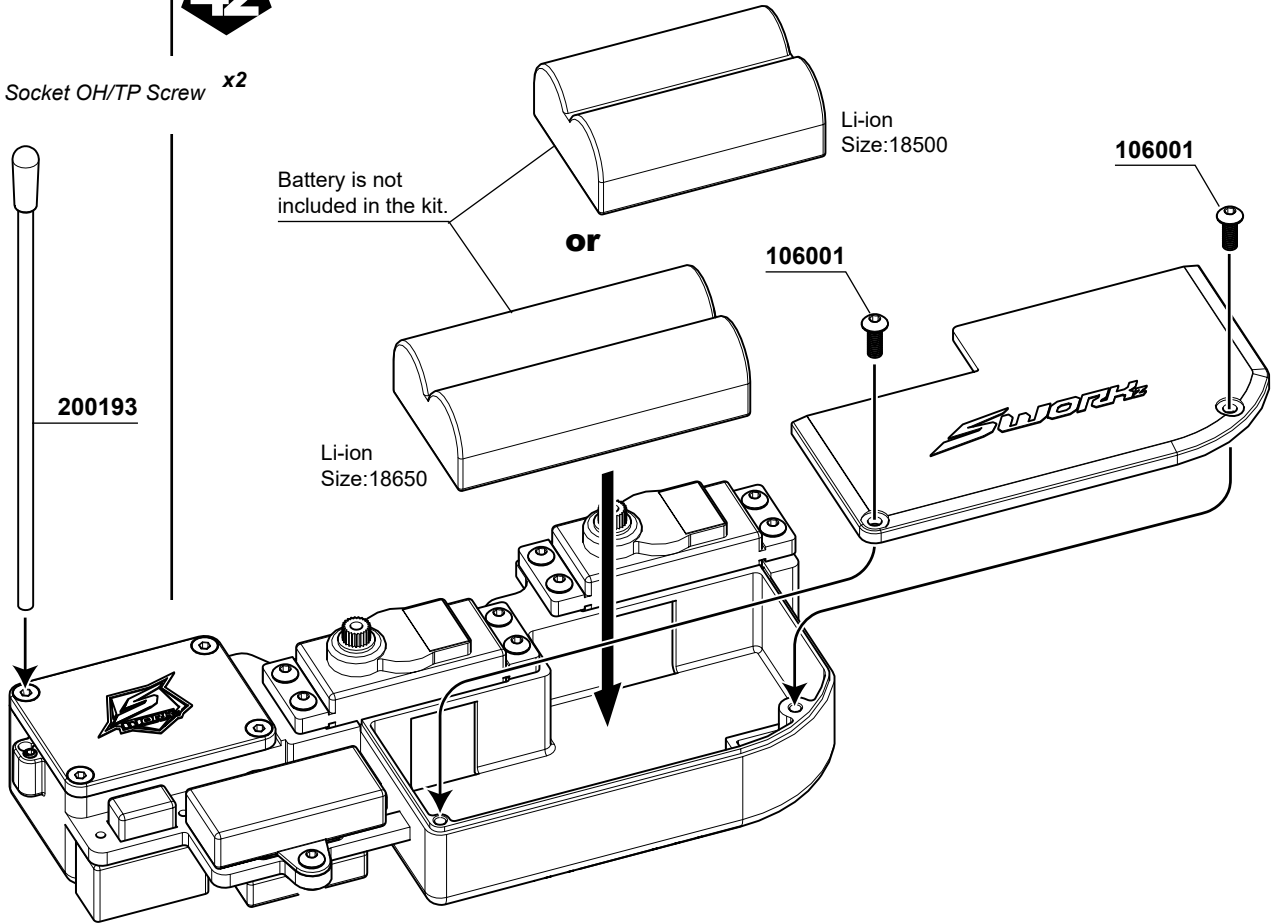
108006





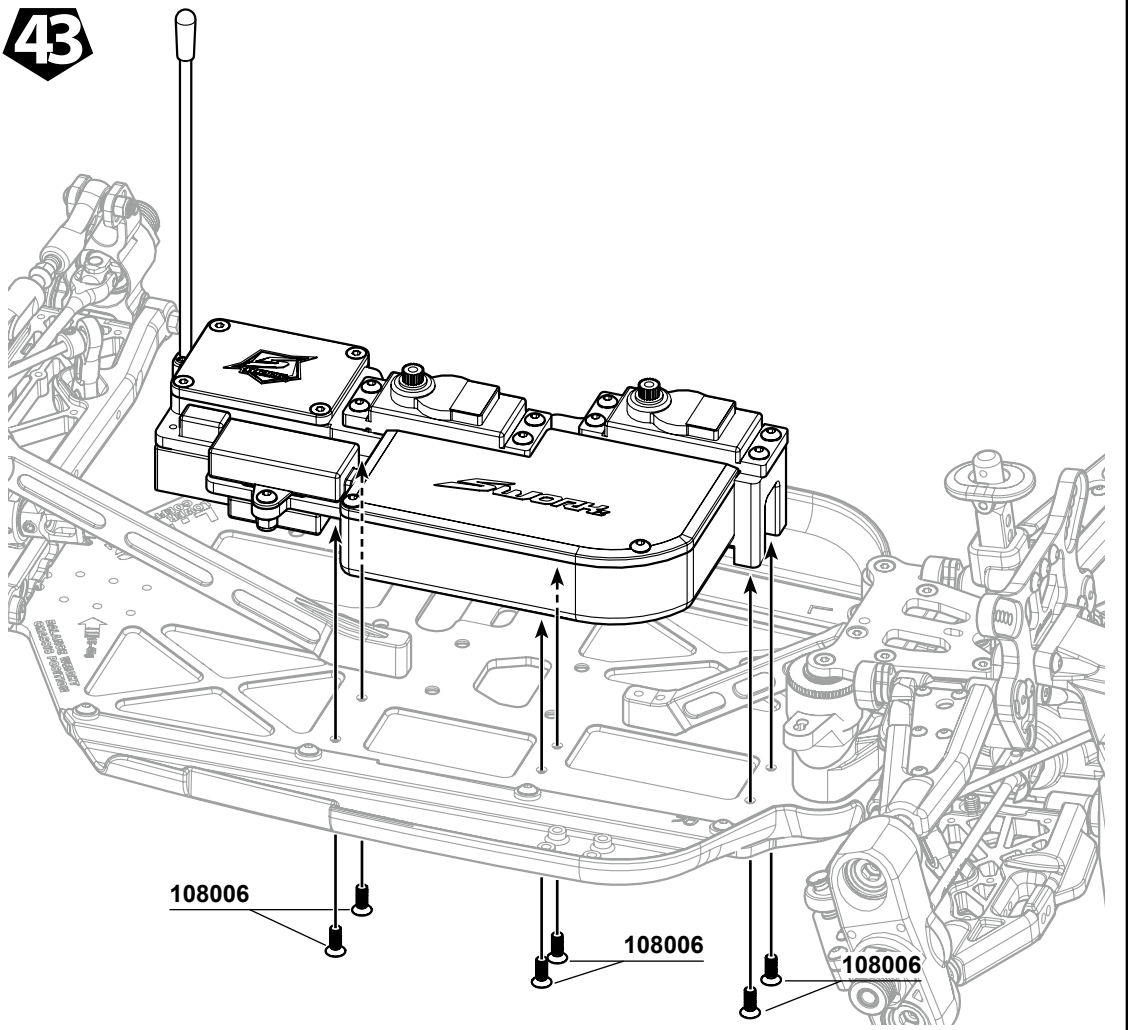
106001
M3x8mm Hex Socket OH/TP Screw x2

42



108006
M3x8mm FH/ST HEX Screw x6

43



44



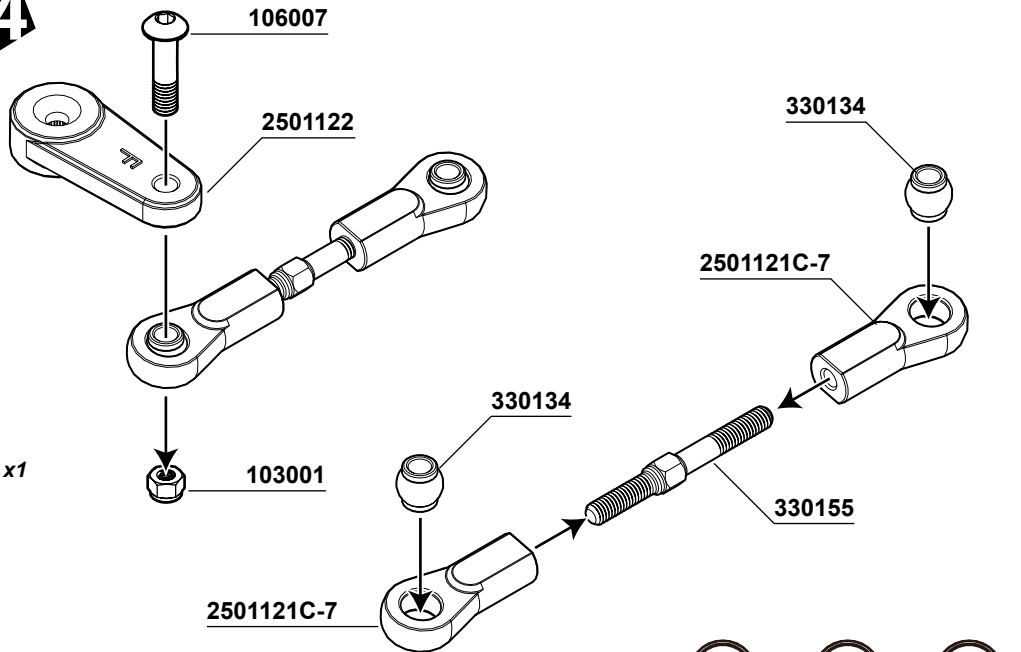
106007
M3x12mm Hex Socket OH/TP Screw(HT) x1



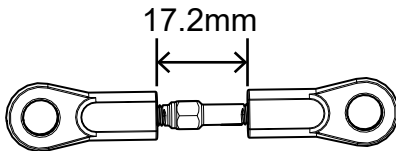
103001
M3 Nut Lock x1



330155
Steering Servo Turnbuckle (M3x30mm) x1

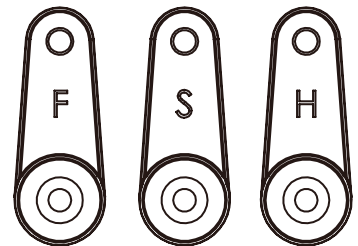


1:1



17.2mm

1:1



45



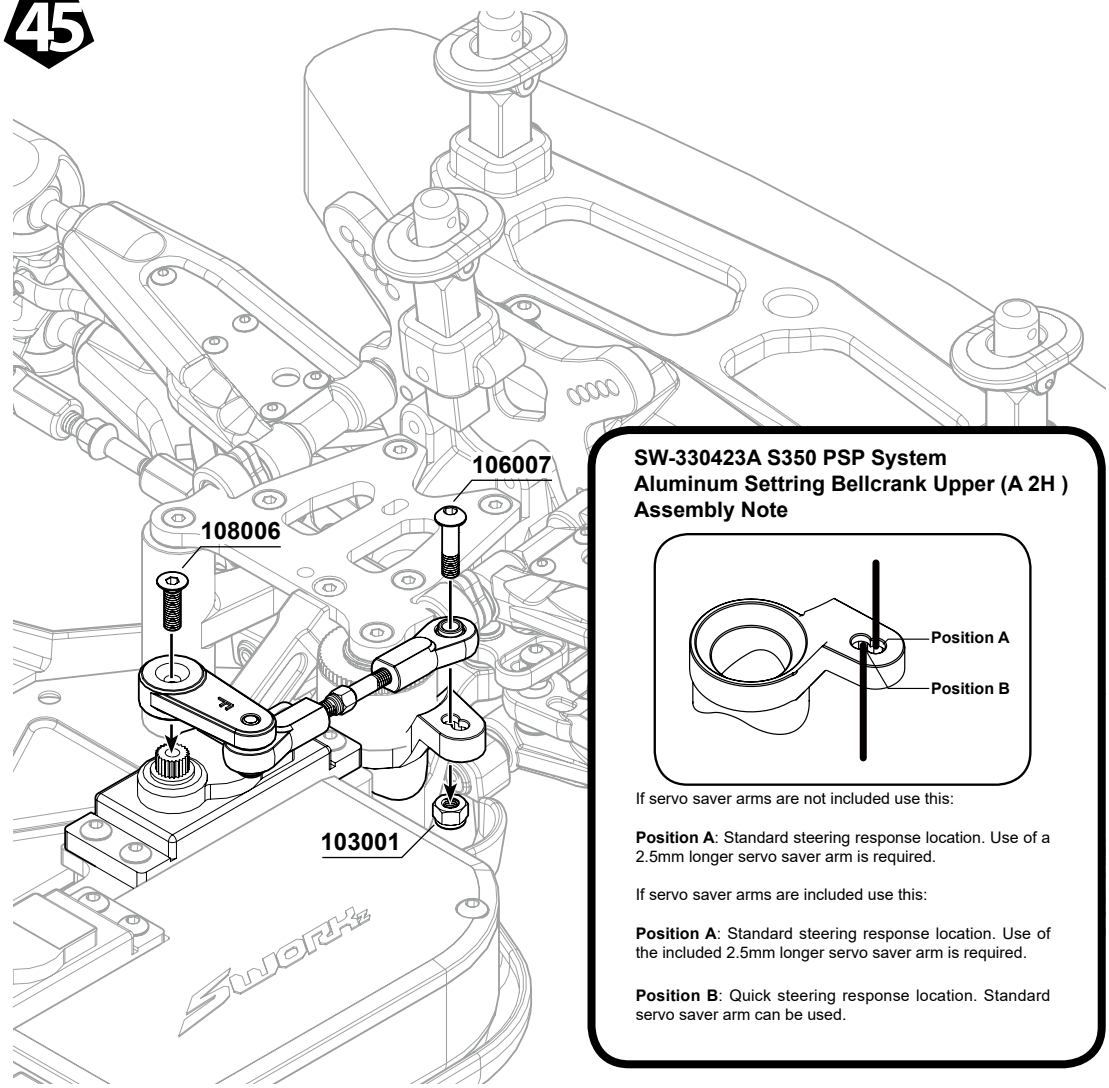
108006
M3x8mm FH/ST HEX Screw x6



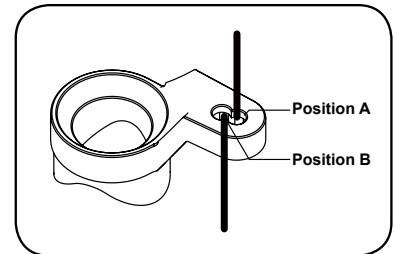
106007
M3x12mm Hex Socket OH/TP Screw(HT) x1



103001
M3 Nut Lock x1



**SW-330423A S350 PSP System
Aluminum Setting Bellcrank Upper (A 2H)
Assembly Note**



If servo saver arms are not included use this:

Position A: Standard steering response location. Use of a 2.5mm longer servo saver arm is required.

If servo saver arms are included use this:

Position A: Standard steering response location. Use of the included 2.5mm longer servo saver arm is required.

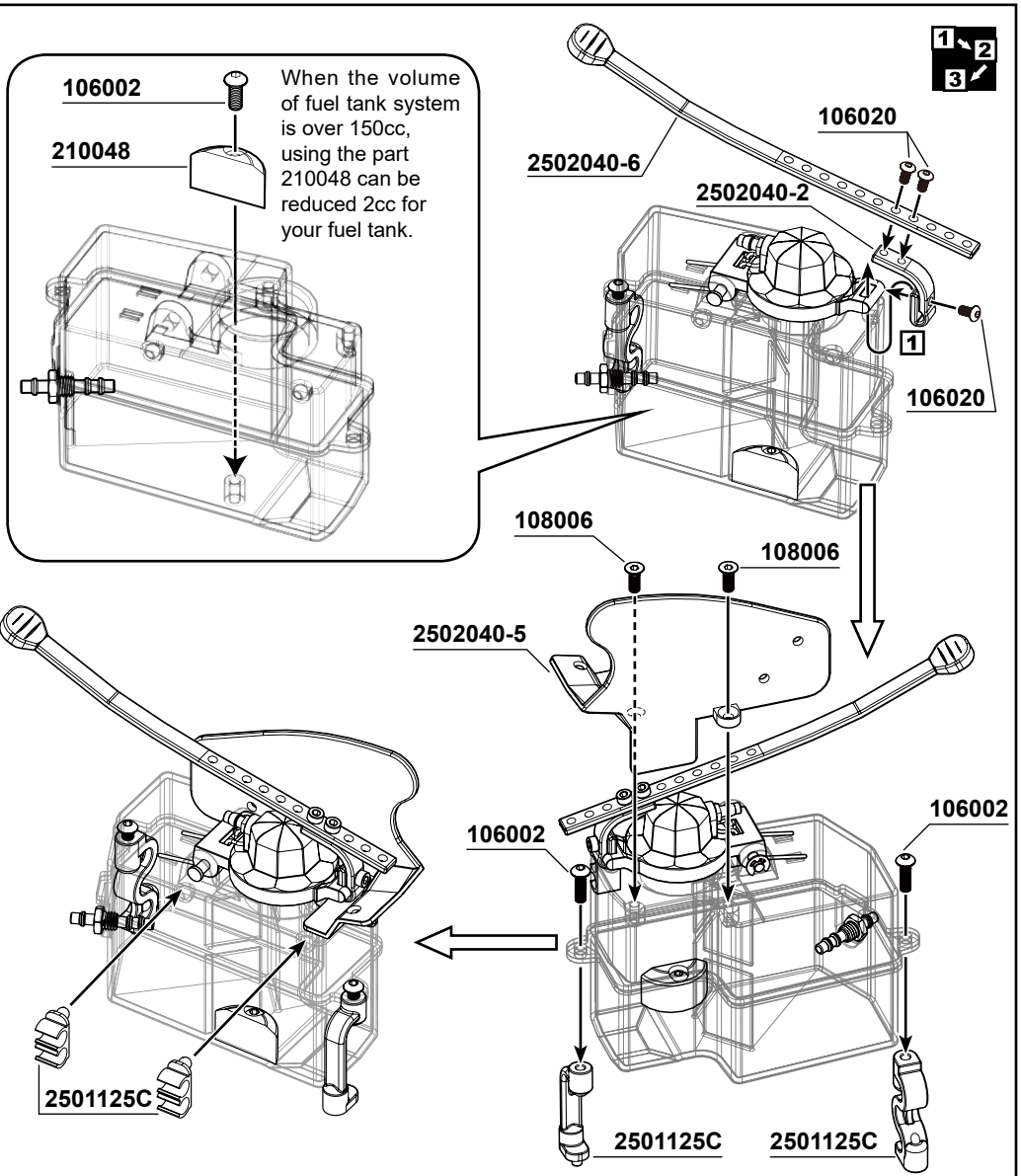
Position B: Quick steering response location. Standard servo saver arm can be used.

46

108006
M3x8mm FH/ST HEX Screw x2

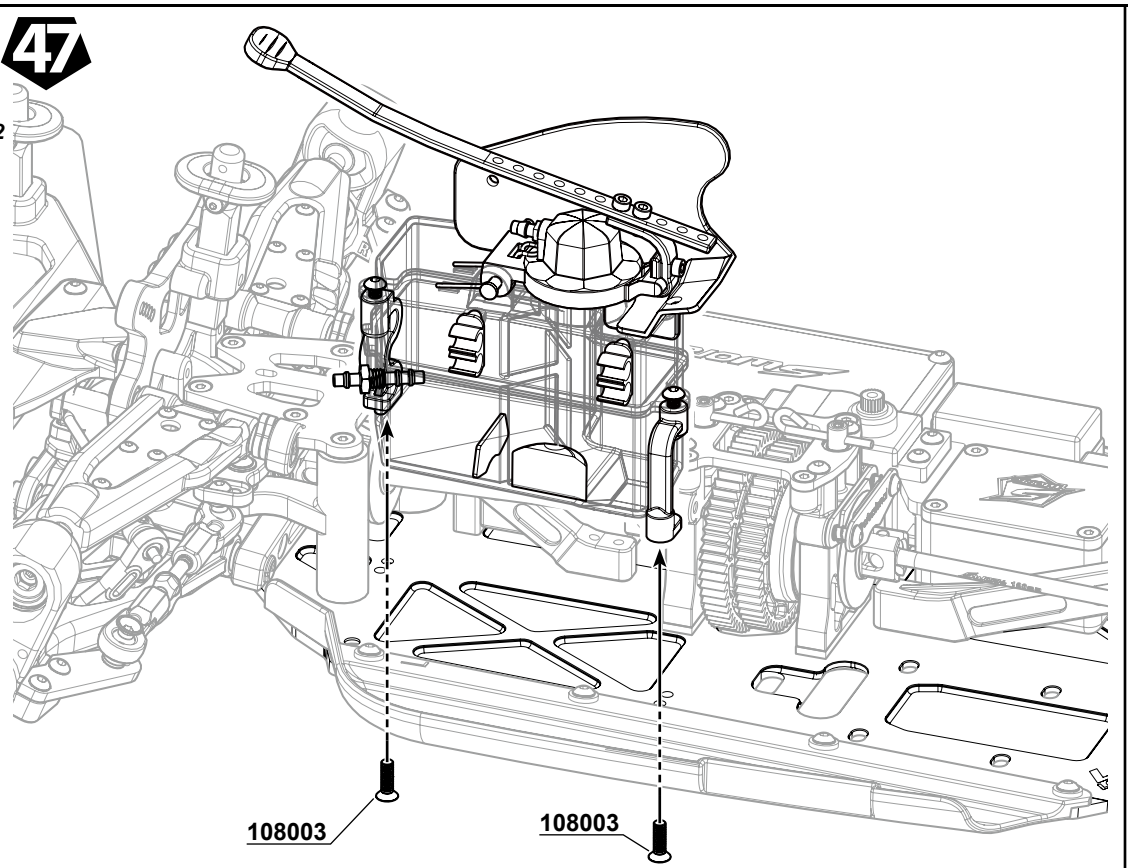
106020
M2.5x5mm Hex Socket OH/TP Screw x2

106002
M3x10mm Hex Socket OH/TP Screw x3



47

108003
M3x10mm FH/ST HEX Screw x2





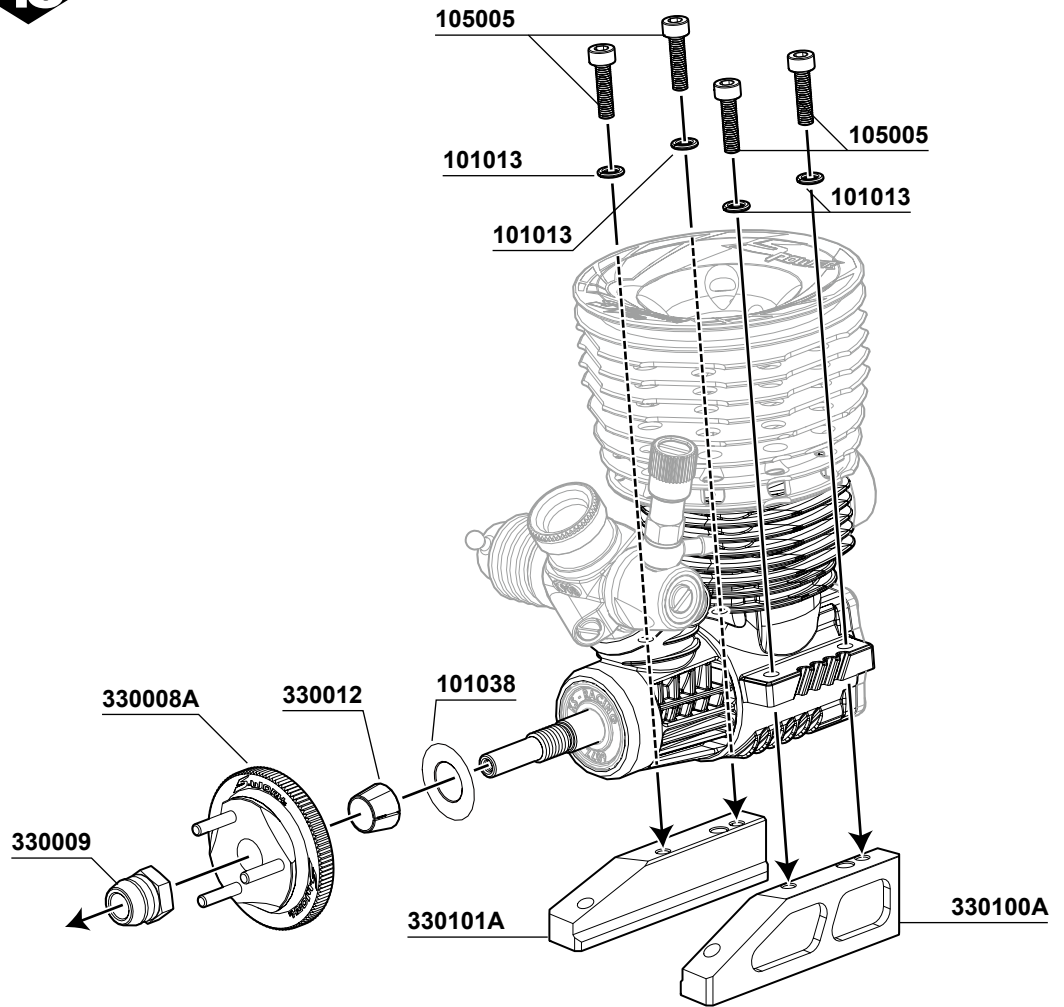
105005
M3x12mm Cap Screw x4



101013
3mm Spring Washer x4



101038
SHIM 7x12x1mm x1



105001
M3x8mm Cap Screw x1



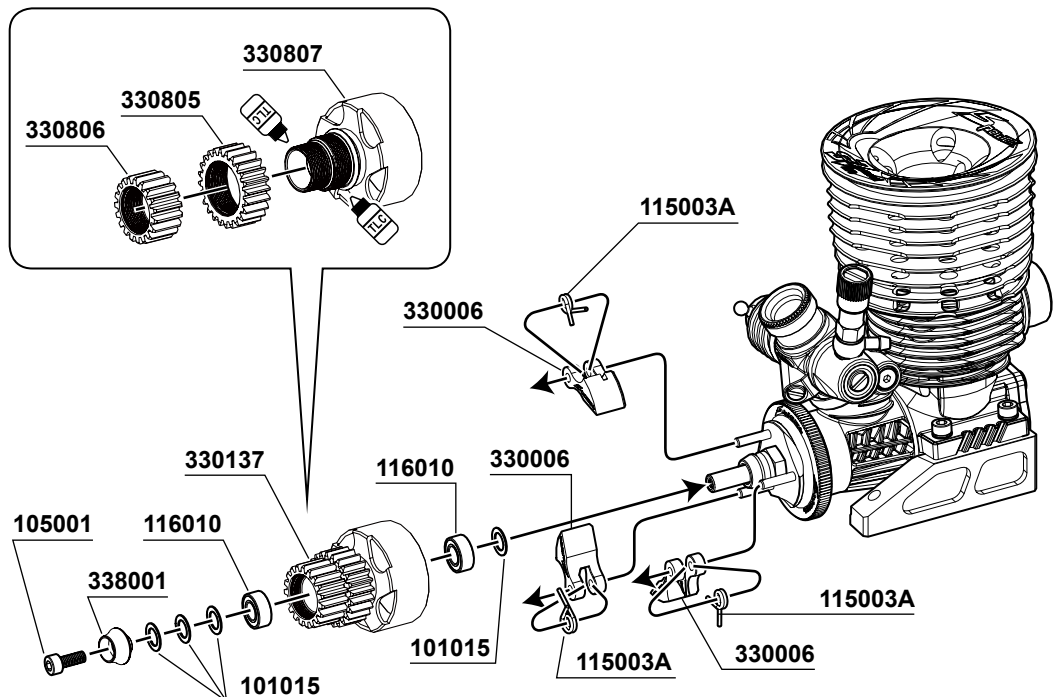
101012
M3x6xT0.6mm x1



101015
M5x8xT0.4mm x4



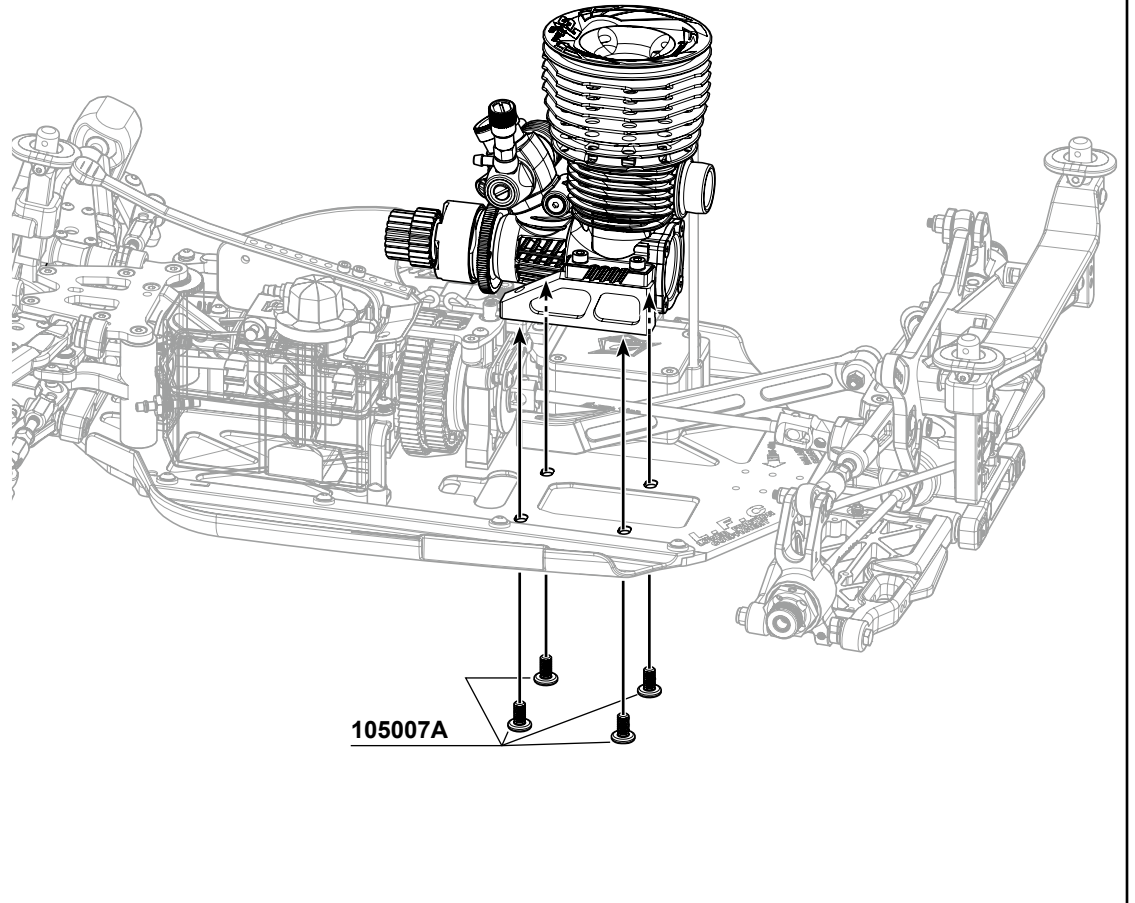
116010
Ball Bearing 5x10x4mm x2



50



105007A
M4x8mm I-Head Screw x4



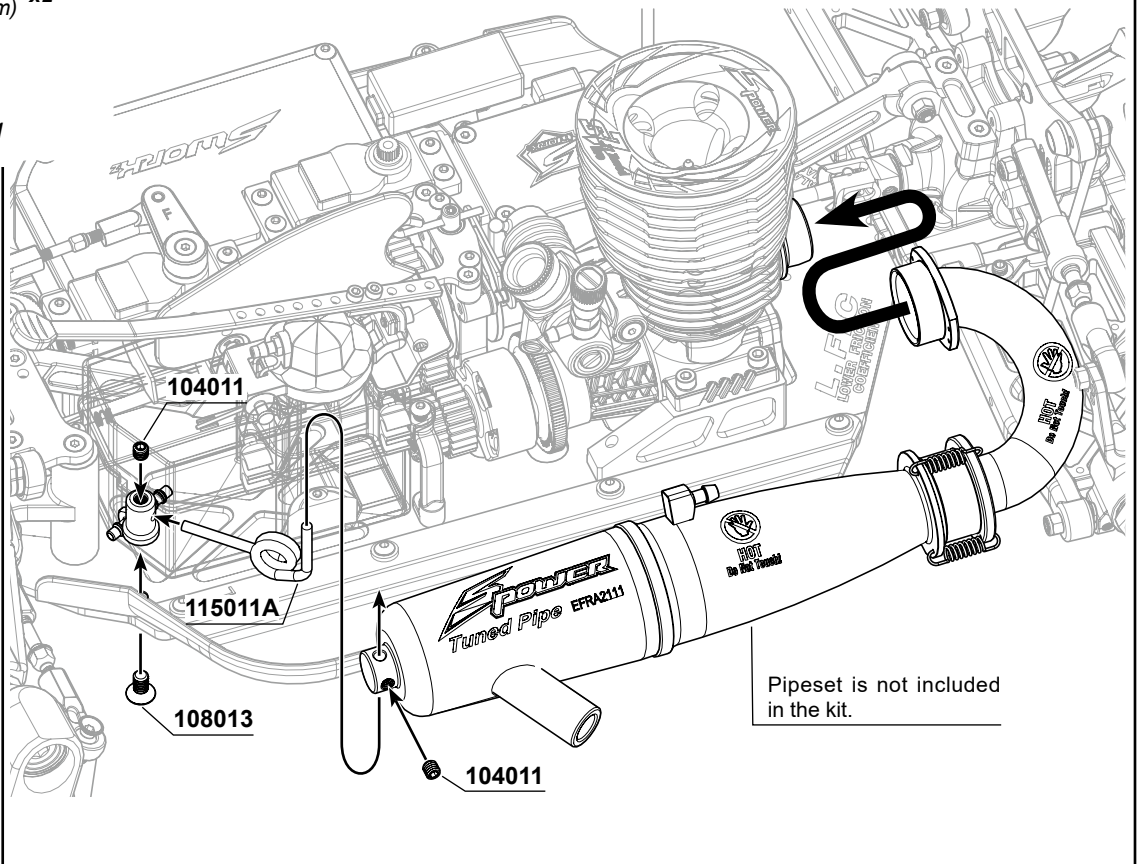
51



104011
M4x4mm Set Screw (Flat Bottom) x2



108013
M4x8mm FH/ST HEX Screw x1



104004
M3x3mm Set Screw x6

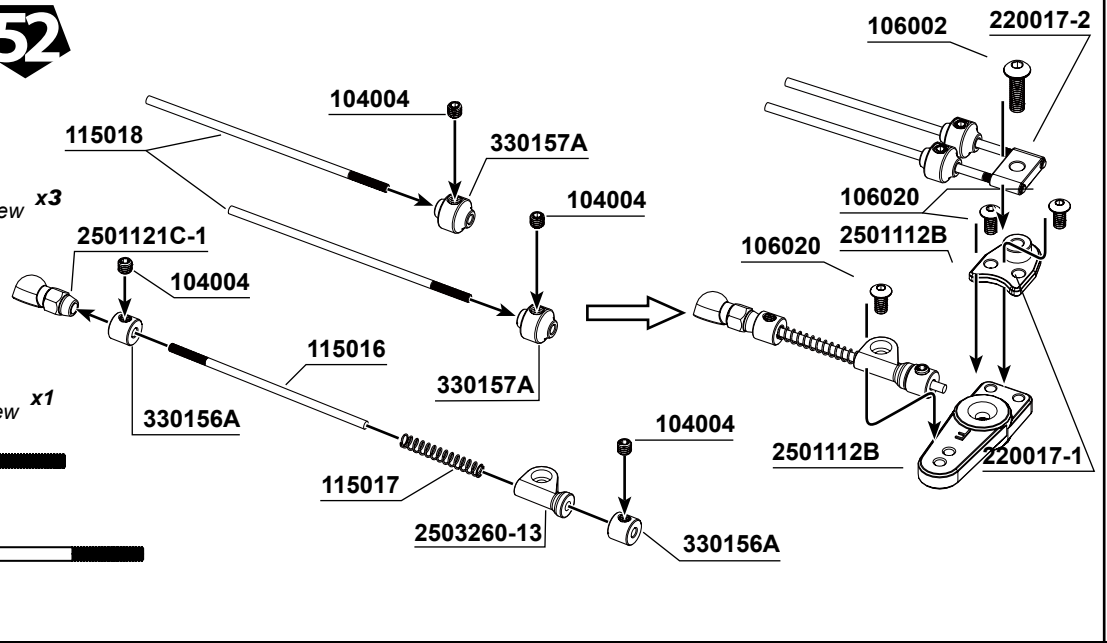
106020
M2.5x5mm Hex Socket OH/TP Screw x3

106002
M3x10mm Hex Socket OH/TP Screw x1

115016
Throttle Rod 50mm x1

115018
Brake Rod 60mm x2

52



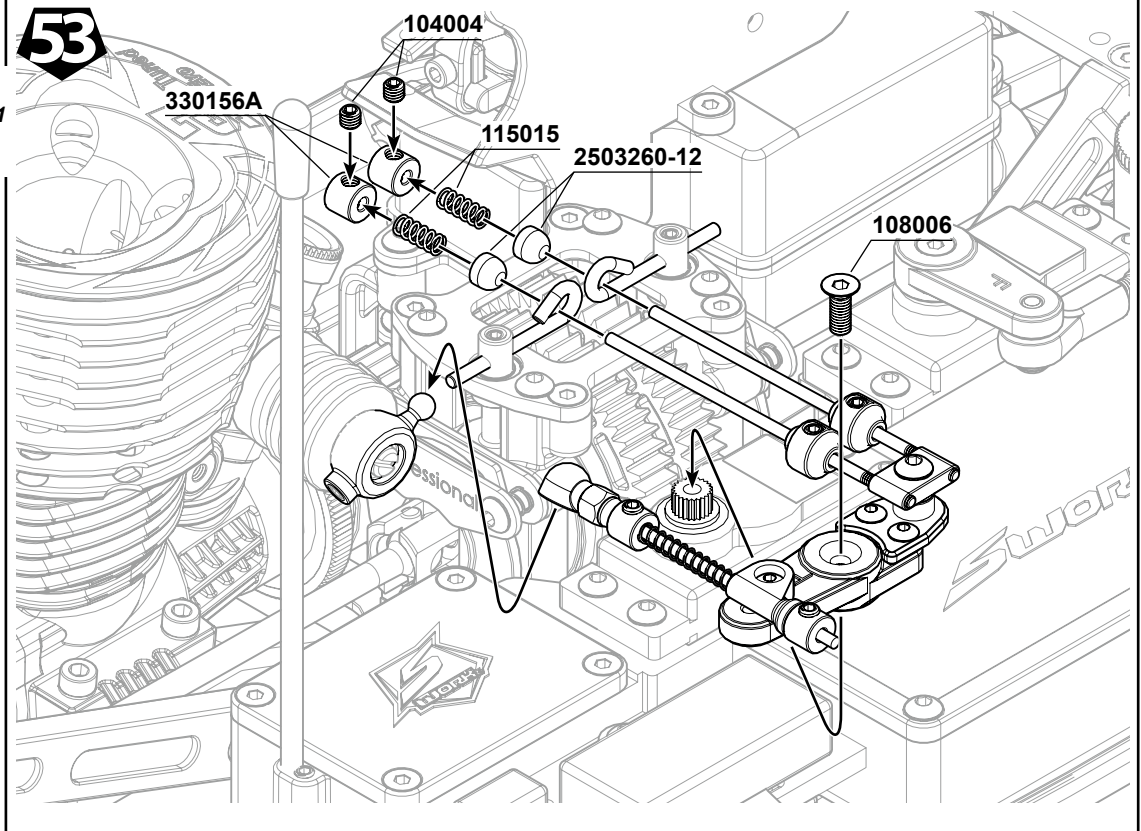
108006
M3x8mm FH/ST HEX Screw x1

330156A
Adjuster Knob x4

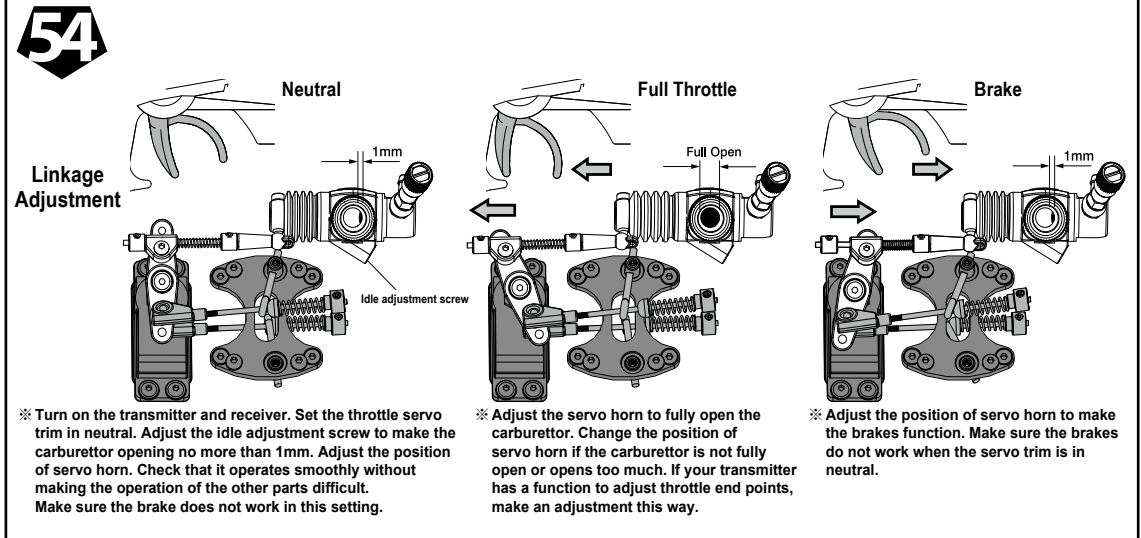
115015
Brake Spring x2

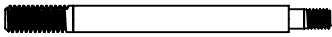
115017
Throttle Rod Spring x1

53



54





330799
S350 New BBS System +5.5mm Shock Shaft (L) x2



103004
M2.5mm Nut Lock x4



330567
Shock Seal Washer 3.5X7X1.0mm x4



330561
Shock Seal Washer 3.6X7X2.5mm x8



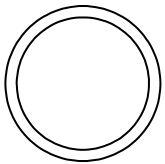
101011
M2.6x6xT0.6mm x4



400006
Shock Seal O-Ring x8



400020
Shock Seal O-Ring x4



400019
Shock Spring Adjust Nut O-Ring x4

F/R 330798

F/R 330799

103004

400020

330567

330561

400006

330561

330557

2501121C-8

Front 40010(S)

Rear 40009(L)

330562(F)

330563(R)

101011

56

330644

410047

108020

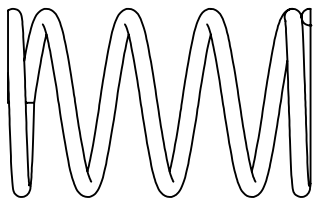
2501121C-10

20.5 mm

Slowly push the shock shaft to the end of shock cap. Then tight screw M2x4mm



57



115148
S350 BBS Option Shock Spring A-1 (75X1.4X6.5) x4

2501121C-5

330560

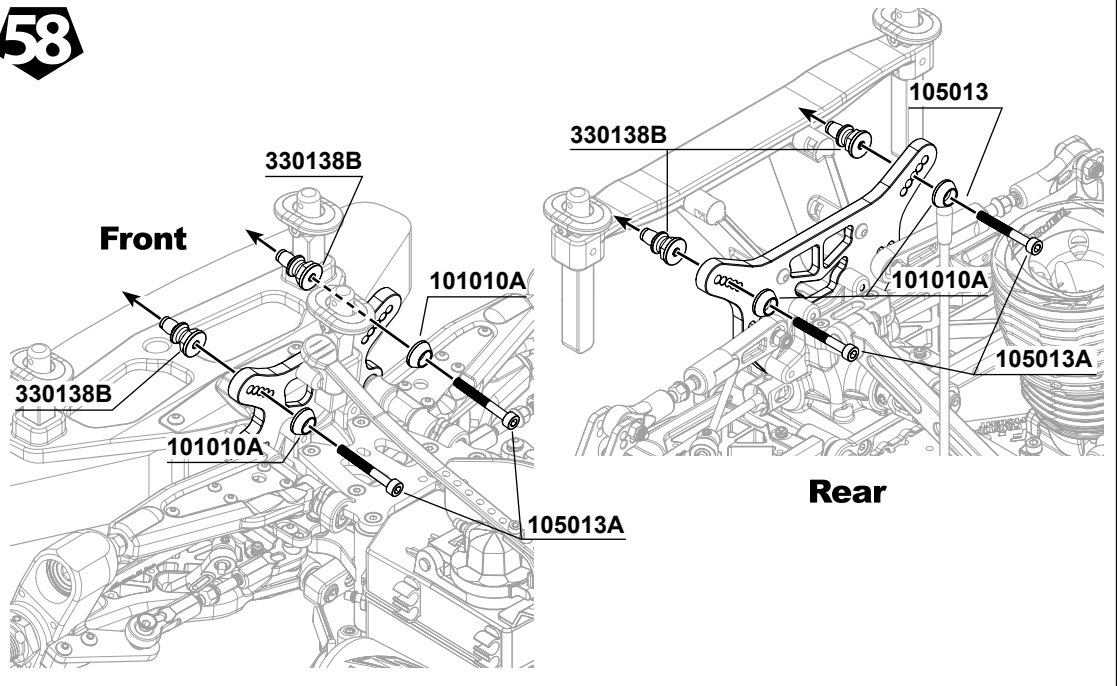
330134

F/R 115148

400019



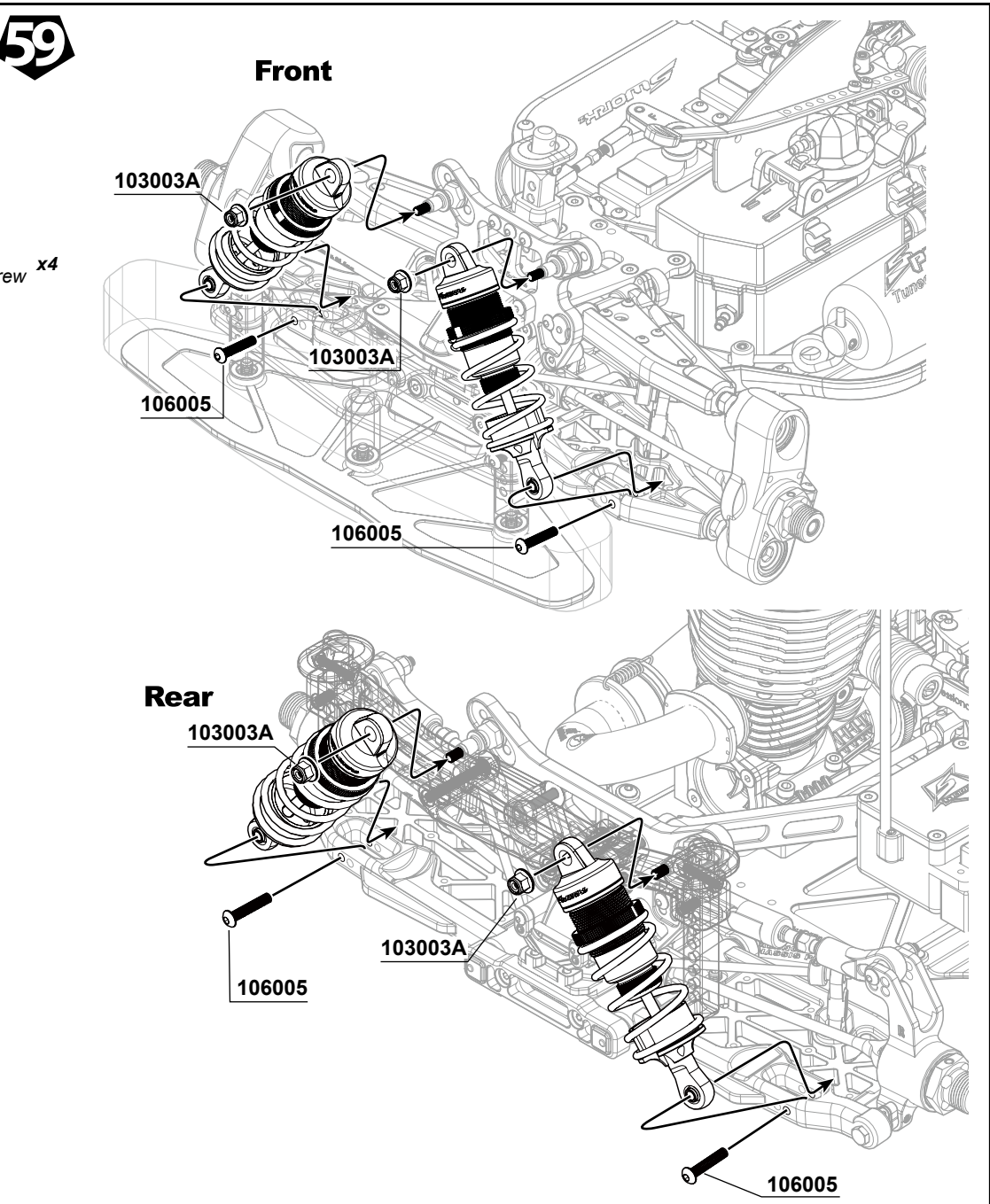
105013A
M3x25mm Cap Screw x4



103003A
Flange M3 Nut Lock x4



106005
M3x15mm Hex Socket OH/TP Screw x4

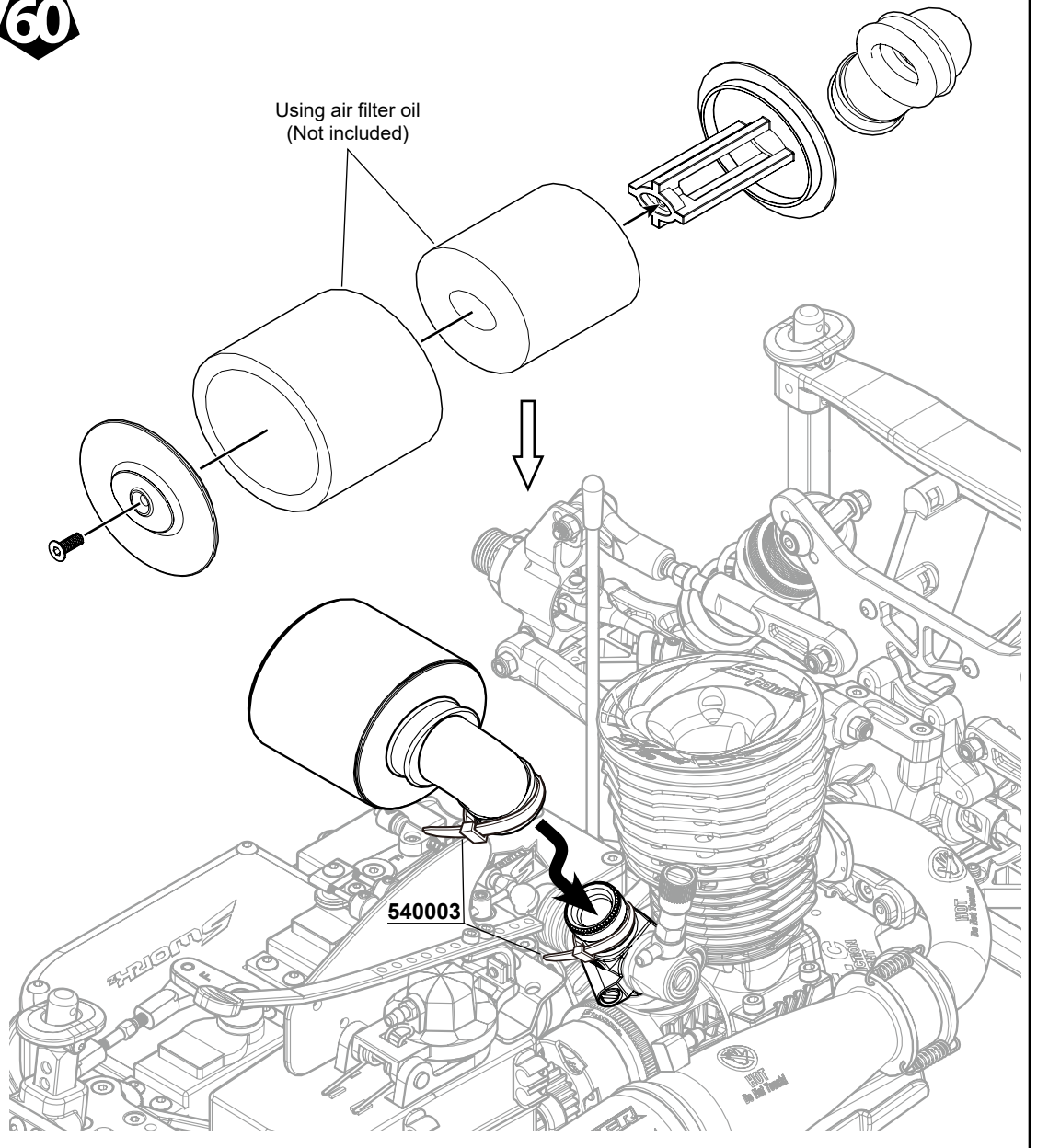


60

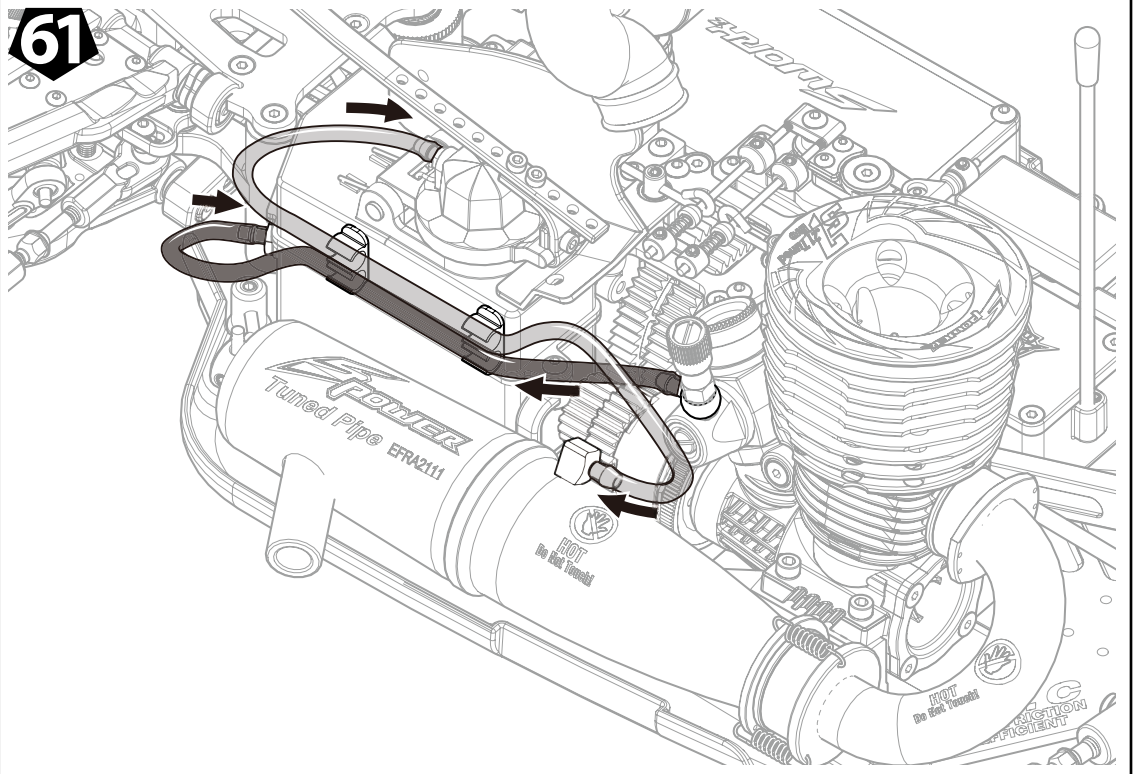


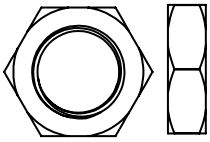
108006
M3x8mm FH/ST HEX Screw x1

Using air filter oil
(Not included)

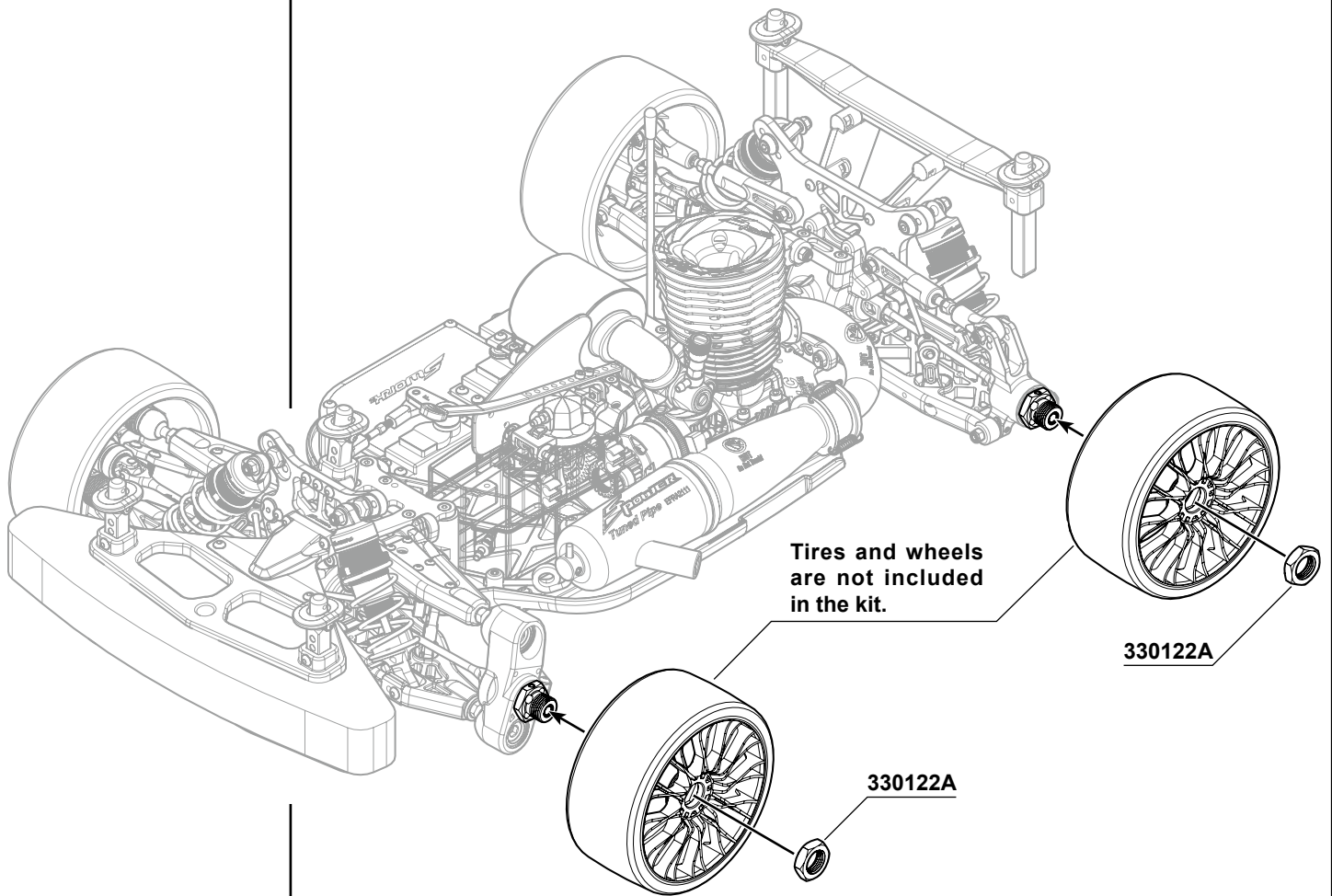


61





330122A
Wheel Nut **x4**



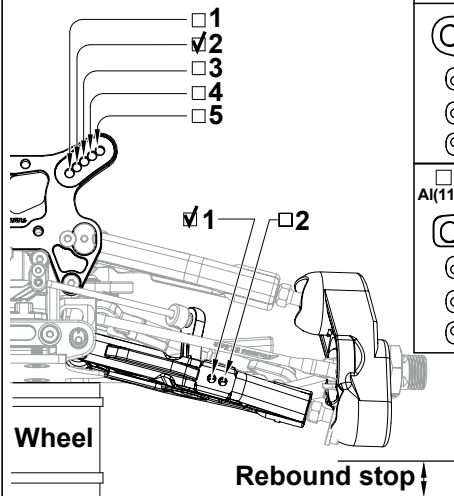
S35-GT

1/8 Scale 4WD Nitro Power On-Road GT Car

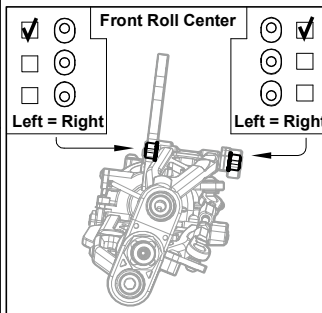
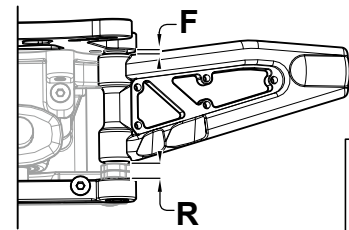
 Name: SWORKZ
 Date: _____
 Track: _____

Diff. Oil
 Front: # 300,000
 Center: # 2 Speed
 Rear: # 10,000
Tire

Front	Rear
Type: <u>PMT H05</u>	Type: <u>PMT H03</u>
Foam: <u>rubber</u>	Foam: <u>rubber</u>

Front Suspension


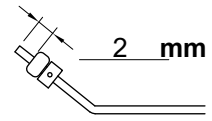
Front Toe-In	
<input type="checkbox"/> -1	<input type="checkbox"/> 0
<input checked="" type="checkbox"/> 0	<input type="checkbox"/> +1
Al(11g) Brass(25g) Brass(35g)	
<input type="checkbox"/> -1	<input type="checkbox"/> 0
<input checked="" type="checkbox"/> 0	<input type="checkbox"/> +1


 Track width _____ mm
 Camber angle Upper _____ mm
 Lower _____ mm
 Toe angle _____ mm
 Rebound stop _____ mm
 Sway bar Use 3 mm
 None

 F: 2 mm
 R: _____ mm

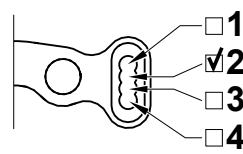
Front Shocks

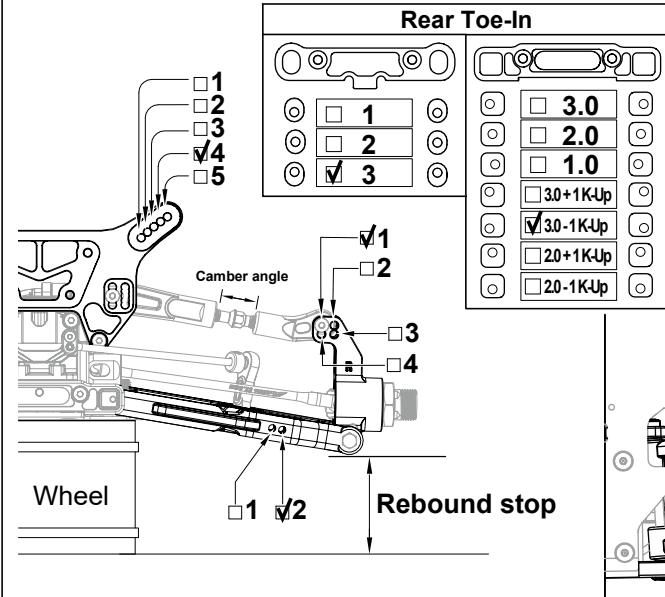
 Oil: 3000
 Pistons: _____ kit
 Spring: _____ kit
 Spacer: 0 mm

Camber Angle

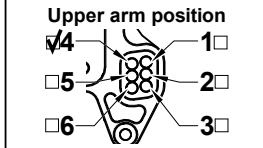
 L: 0 °
 R: 2 °


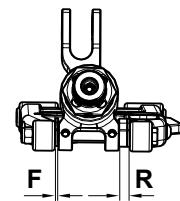
Notes: ride height 8mm

Steering Ackerman

 Body: Tpro GT 3000

 Wing: Tpro GT 3000
Rear Suspension


Rear Toe-In	
<input type="checkbox"/> 1	<input type="checkbox"/> 3.0
<input type="checkbox"/> 2	<input type="checkbox"/> 2.0
<input checked="" type="checkbox"/> 3	<input type="checkbox"/> 1.0
	<input type="checkbox"/> 3.0+1K-Up
	<input checked="" type="checkbox"/> 3.0-1K-Up
	<input type="checkbox"/> 2.0+1K-Up
	<input type="checkbox"/> 2.0-1K-Up


 Camber angle 1 mm
 Rebound stop _____ mm

Rear Shocks
 Oil: 1500
 Pistons: _____ kit
 Spring: _____ kit
 Spacer: 0 mm


Front

 Wheelbase F 5 mm
 adjustment R _____ mm

 Sway bar Use 2.8 mm
 None

2 mm

Notes: ride height 9mm

S35-GT

1/8 Scale 4WD Nitro Power On-Road GT Car

 Name: _____
 Date: _____
 Track: _____

Diff. Oil
 Front: # _____
 Center: # _____
 Rear: # _____

Track Conditions

 Size: Open Med. Tight
 Traction: High Med. Low
 Surface: Smooth Med. Bumpy

Engine

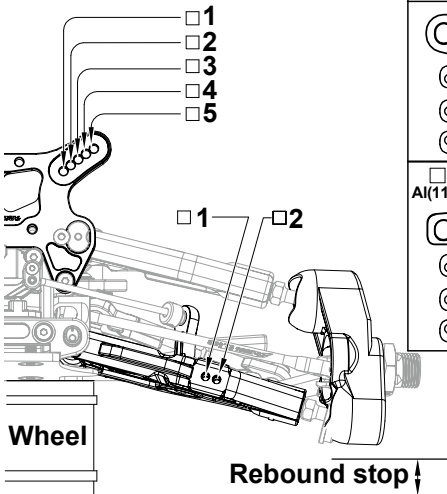
 Type: _____
 Gasket: _____ mm Muffler: _____
 Plug: _____ Fuel: _____

Tire

Front	Rear
Type: _____	Type: _____
Foam: _____	Foam: _____

Clutch

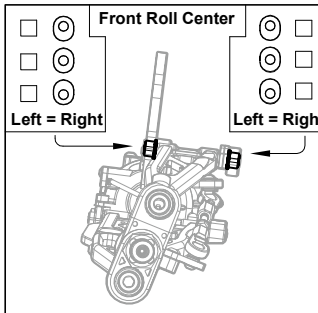
 Clutch shoes: _____
 Spring: _____ mm
 Clutch bell / Spur gear: _____

Front Suspension

Front Toe-In

<input type="checkbox"/> -1	<input type="checkbox"/> 0	<input type="checkbox"/> +1
-----------------------------	----------------------------	-----------------------------

Al(11g) Brass(25g) Brass(35g)

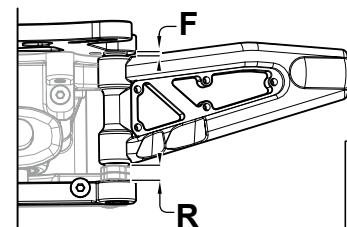
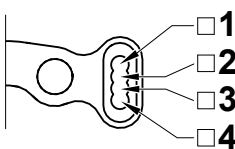
<input type="checkbox"/> -1	<input type="checkbox"/> 0	<input type="checkbox"/> +1
-----------------------------	----------------------------	-----------------------------


 Track width _____ mm
 Camber angle Upper _____ mm
 Lower _____ mm
 Toe angle _____
 Rebound stop _____ mm
 Sway bar Use _____ mm
 None

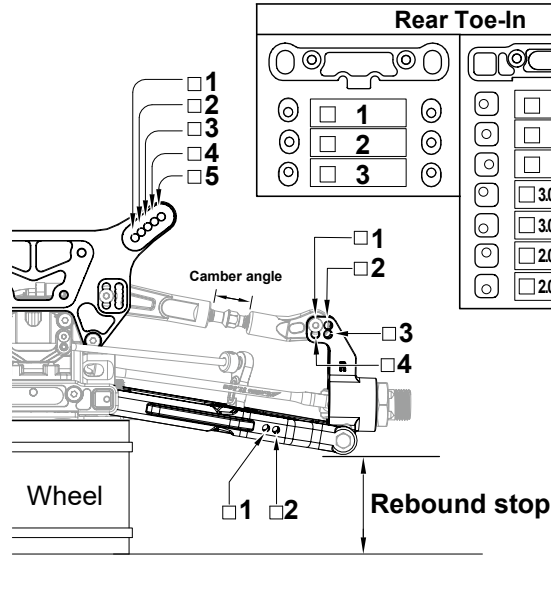
Front Shocks

 Oil: _____
 Pistons: _____
 Spring: _____
 Spacer: _____ mm

Camber Angle

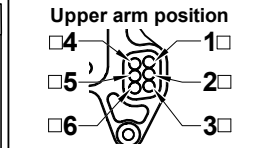
 L: _____ °
 R: _____ °
Notes:
Steering Ackerman

 F: _____ mm
 R: _____ mm

 Body: _____
 Wing: _____

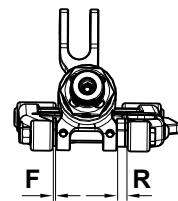
Rear Suspension

Rear Toe-In

<input type="checkbox"/> 1	<input type="checkbox"/> 2	<input type="checkbox"/> 3
----------------------------	----------------------------	----------------------------

<input type="checkbox"/> 3.0	<input type="checkbox"/> 2.0	<input type="checkbox"/> 1.0
<input type="checkbox"/> 3.0+1KUp	<input type="checkbox"/> 3.0-1KUp	<input type="checkbox"/> 2.0+1KUp
<input type="checkbox"/> 2.0+1KUp	<input type="checkbox"/> 2.0-1KUp	

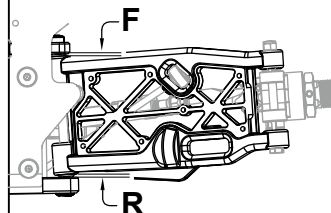

 Camber angle _____ mm
 Rebound stop _____ mm

RearShocks

 Oil: _____
 Pistons: _____
 Spring: _____
 Spacer: _____ mm


Front

 Wheelbase F _____ mm
 adjustment R _____ mm

 Sway bar Use _____ mm
 None

Notes:

S35-GT

1/8 Scale 4WD Nitro Power On-Road GT Car

Name: _____
 Date: _____
 Track: _____

Diff. Oil
 Front: # _____
 Center: # _____
 Rear: # _____

Tire

Front: _____ Rear: _____
 Type: _____ Type: _____
 Foam: _____ Foam: _____

Track Conditions

Size: Open Med. Tight
 Traction: High Med. Low
 Surface: Smooth Med. Bumpy

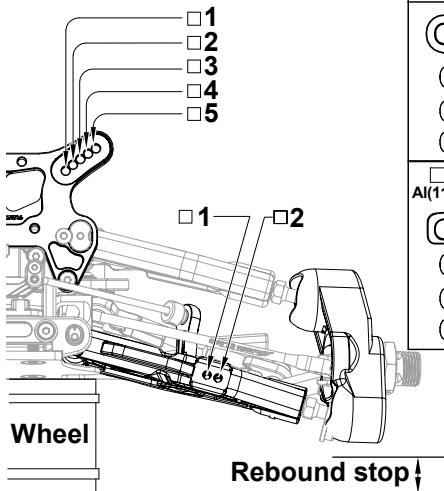
Engine

Type: _____
 Gasket: _____ mm Muffler: _____
 Plug: _____ Fuel: _____

Clutch

Clutch shoes: _____
 Spring: _____ mm
 Clutch bell / Spur gear: _____

Front Suspension

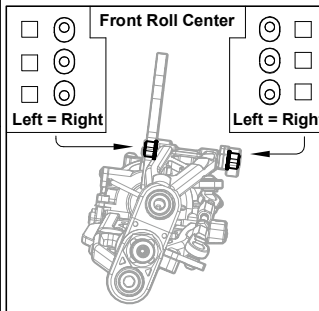


Front Toe-In

-1
 0
 +1

Al(11g) Brass(25g) Brass(35g)

-1
 0
 +1



Track width _____ mm
 Camber angle Upper _____ mm
 Lower _____ mm
 Toe angle _____
 Rebound stop _____ mm
 Sway bar Use _____ mm
 None

Front Shocks

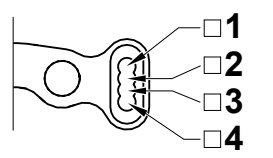
Oil: _____
 Pistons: _____
 Spring: _____
 Spacer: _____ mm

Camber Angle

L: _____ °
 R: _____ °

_____ mm

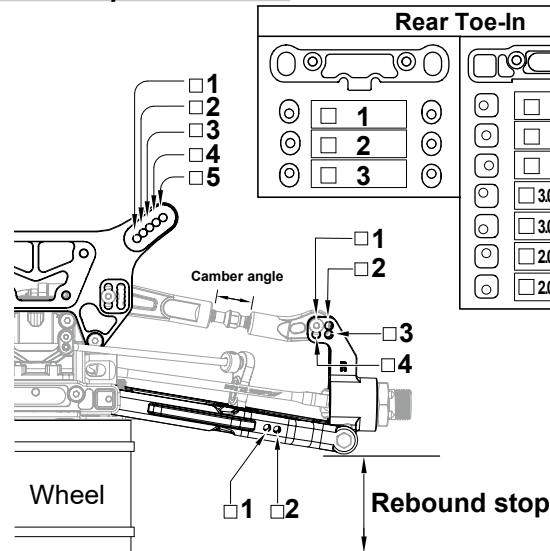
Steering Ackerman



F: _____ mm
 R: _____ mm

Body: _____
 Wing: _____

Rear Suspension



Rear Toe-In

1
 2
 3

3.0
 2.0
 1.0
 30+1KUp
 30-1KUp
 20+1KUp
 20-1KUp

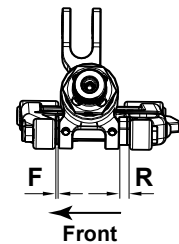
Upper arm position



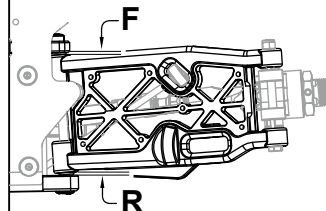
Camber angle _____ mm
 Rebound stop _____ mm

Rear Shocks

Oil: _____
 Pistons: _____
 Spring: _____
 Spacer: _____ mm



Wheelbase F _____ mm
 adjustment R _____ mm
 Sway bar Use _____ mm
 None



Notes: _____

Parts No. List

Part No.	Part Name	Q`ty in Use	Item No.	Part No.	Part Name	Q`ty in Use	Item No.
200708	S35GT 1st Spur Gear 61T	1	SW-200708		S35GT Fuel Tank Post	1	
200709	S35GT 2nd Spur Gear 57T	1	SW-200709		S35 E-series Plastic Steering Servo Mount 1	1	
210002A	Diff Case with Matel part	2	SW-210002A	220017	S35GT/E Body Post	5	SW-220017
210048	S350T Fuel Tank Set (150cc)	1	SW-210048		S35GT/E Body Post Holder	5	
2503263H-01	S35-3 Series Rear Lower Harder Arm	2	SW-2503263H		S35GT/E Center Body Post Holder	1	
2503263H-02	S35-3 Series Front Lower Harder Arm	2	SW-2503263H		S35GT Throttle Brake Mount	1	
2503264A	S35-3 Series Front Steering Knuckle (Type 2.0) L 1	1	SW-2503264A		S35GT Throttle Brake Up-Mount	1	
	S35-3 Series Front Steering Knuckle (Type 2.0) R 1	1		200193	Antenna Tube	1	SW-200193
2503270-1	S35-3 Series Front Upper Arms	2	SW-2503270-1	210043A	S350 Professional Matel Brake Calipers 2.0 A Side 2	2	SW-210043
2503270-2	S35-3 Series Rear Upper Arm Outside Ball Ends 4	4	SW-2503270-2	210043B	S350 Professional Matel Brake Calipers 2.0 B Side 2	2	SW-210043
2503270-3	S35-3 Series Front Steering Ball Ends	2	SW-2503270-3	210051	S35-3 6mm Axle Universal Cross Drive Shaft Set 92.5mm 4	4	SW-210051
2503261	S35-3 Series Gear Box Set (F)	2	SW-2503261	320003	Diff. Bevel Gear 18T	6	SW-320003
	S35-3 Series Gear Box Set (R)	2		320004	Diff. Bevel Gear 10T	12	SW-320004
	S-Way Bar Holder	2		330006	Tornado Clutch Shoes	3	SW-330006
2501121C	Rear Upper Arm Ball End (For Wheel Side)	2	SW-2501121C	330008A	SWORKz Tornado Fly Wheel Set (GM)	1	SW-330008A
	Rear Upper Arm Ball End	2		330009	Tornado Fly Wheel Center Nut	1	SW-330008A
	Steering Ball End	2		330012	Fly Wheel Collect	1	SW-330008A
	Steering Ball End (For Wheel Side)	2		330013	Bevel Gear Shaft	6	SW-330013
	Shock Cap Insert	4		330014A	S35 Series Front/Rear Diff. Outdrive (2pc)	2	SW-330014A
	Shock Ball End	4		330015	Pin M2.2x9.9mm	6	SW-330015
	Shock Spring Holder	4		330103	Front/Rear Lower Arm HingPin	4	SW-330103
	Sway Bar Linkage	4		330105	Brake Cam (L)	2	SW-330104
	Steering Linkage Ball End	2		330106	Brake Cam	2	SW-330104
	Throttle Linkage Ball End	1		330100A	S350 Engine Mount (L) (HC)	1	SW-330100A
2501122B	Settring Bellcrank Upper (R)	1	SW-2501122B	330101A	S350 Engine Mount (R) (HC)	1	SW-330100A
	Settring Bellcrank (R)	1		330113	Servo Saver Shaft	2	SW-330113
	Settring Bellcrank (L)	1		330114A	S350 Sseries Servo Saver Post (HC)	1	SW-330114A
	Rear Chassis Brace Mount	1		330117A	S350 Series Knuckle Pivot Ball Washer(GM)	2	SW-330117A
	Steering Servo Horn (For Futaba)	1		330118A	S350 Series Knuckle Pivot Ball Nut(GM)	4	SW-330118A
	Steering Servo Horn (For S&K)	1		330119	Front Upper Arm HingPin	2	SW-330119
	Steering Servo Horn (For Hitec)	1		330122A	S350 Wheel Nut (HC)	4	SW-330122A
	Servo Mount	2		330123A	S350 EVO Rear Upper Sus. Arm Turnbuckles M5x38mm 2	2	SW-330123A
	Throttle Servo Horn (For Futaba)	1		330125	Rear Upper Sus. Arm Ball Stud	4	SW-330125
	Throttle Servo Horn (For S&K)	1		330126A	S350 EVO Steering Turnbuckle M4x40mm 2	2	SW-330126A
	Throttle Servo Horn (For Hitec)	1		330134	Shock Ball Stud	10	SW-330134
	Brake Servo Horn	1		330135A	Servo Saver Nut(GM)	1	SW-330114A
2501123	Side Guard (R)	1	SW-2501123	330136	Sway Bar Ball Stud	4	SW-330136
	Side Guard (L)	1		330138B	S350 EVO Aluminum Shock Cap Stud (-1.3mm)	4	SW-330138B
2501124	Center Diff. Mount (Lower)	2	SW-2501124	330140A	Pipe Holder(GM)	1	SW-330140A
	Center Diff. Mount (Upper)	2		330155	Steering Servo Turnbuckle (M3x30mm)	2	SW-330155
2501125C	Fuel Tank Post	2	SW-2501125C	330156A	Adjuster Knob(GM)	4	SW-330156A
	Fuel Tube Holder	2		330157A	Brake Adjuster Knob(GM)	2	SW-330156A
2501126	Ail Filter Base	1	SW-2501126	330215A	S35 Sries Aluminum Front Changeable Lower Arm Holder (BK)	1	SW-330215A
	Ail Filter End Cap	1		330252	S350 BX1/BR1 Steering Knuckle Pivot Ball Turnbuckle 4	4	SW-330252
2501529	S350 BX1/BR1 Rear Chassis Brace	1	SW-2501529	330399B	S35-3 Series Aluminum Rear Chassis Brace Mount (GM)	1	SW-330399B
	S350 BX1/BR1 Front Chassis Brace	1		330423A	S350 PSP System Aluminum Series Settring Bellcrank Upper (A 2H)	1	SW-330423A
2502040-02	S350T Raer Body Mount	1	SW-2502040-02	330560	S350 New BBS System Shock Spring Adjust Nut 4	4	SW-330560
	S350T Front Body Mount	2		330561	S350 New BBS System Shock Seal Washer 3.6X7X2.5mm 8	8	SW-330561
	S350T Fuel Sprinkle Guard	1		330562	S350 New BBS System Shock Piston 1.3mmX6 Holes 2	2	SW-330562
	S350 Fuel Tank Ring-pull	1		330563	S350 New BBS System Shock Piston 1.4mmX6 Holes 2	2	SW-330563
	S350 Fuel Tank Ring-pull Holder	1		330567	S350 New BBS System Shock Seal Washer 3.5X7X1.0mm 4	4	SW-330567
2503262	S35-3 Series One Unit Radio Tray	1	SW-2503262	330568	S350 Buggy Series Aluminum Center Diff. Mount 2	2	SW-330568
	S35-3 Series One Unit Radio Tray Battery Cover 1	1		330575	S35-3 all Series 17mm HC Wheel Hub for 6mm Axle (L5.5mm) (2PC) 4	4	SW-330575
	S35-3 Series One Unit Radio Tray Receiver Cover 1	1		330576	S35-3 Series 6mm Wheel Hub Pin M2.5x16.8mm (4PC) 4	4	SW-330576
	S35-3 Series One Unit Radio Servo Mount 2	2		330580	S350 Competition Series Professional Brake Disc 2	2	SWC-330580
2503260	S35-3 Series Lower Arm Holder Square Inserts (+1/+1 degree) 2	2	SW-2503260	330642	S35 Series Adjust Front Lower Arm Plate 1	1	SW-330642
	S35-3 Series Lower Arm Holder Square Inserts (0/+1 degree) 2	2		330644	S35-3 Seies BBS Emulsion Shock Cap 4	4	SW-330644
	S35-3 Series Lower Arm Holder Square Inserts (0 degree) 2	2		330651L	S350 Series S35 Competition Aluminum Rear Hub Carry (L)	1	SW-330651L
	S35-3 Series Front Lower Suspension Plate Inserts (1 degree) 2	2		330651R	S350 Series S35 Competition Aluminum Rear Hub Carry (R)	1	SW-330651R
	S35-3 Series Front Lower Suspension Plate Inserts (0 degree) 2	2		330661A	S35-T/S35 Series Competition Center Drive Join (5mm set screw) 2	2	SW-330661A
	S35-3 Series Front Rear Lower Arm Holder Inserts (1 degree) 2	2		330767A	S35-3 Series Steel F-Center Dive Shaft (88mm)	1	SW-330767
	S35-3 Series Front Rear Lower Arm Holder Inserts (0 degree) 2	2		330769	S35-3 Series Rear Front Lower Suspension Plate 1	1	SW-330769
	S35-3 Series Rear Front Lower Suspension Plate Inserts (+/-1 degree) 2	2		330770	S35-3 T-7075 Aluminum Rear Lower Fully Adjustable Toe-In Block (Type A)	1	SW-330770
	S35-3 Series Rear Front Lower Suspension Plate Inserts (0 degree) 2	2		330772	S35-3 Series T-7075 Aluminum Front Upper Arm Holder 1	1	SW-330772
	S35-3 Series Front Upper Arm Holder Inserts (+/-1 degree) 2	2		330773	S35-3 Series T-7075 Aluminum Steering Plate 1	1	SW-330773
	S35-3 Series Front Upper Arm Holder Inserts (0 degree) 2	2		330776	S35-3 Series Servo Saver Big Nut 1	1	SW-330776
	S35-3 Series Front Shock Tower Arm Inserts (+/- 1degree) 2	2		330777	S35-3 Series Aluminum Steering Linkage 7mm Ball Stud(4pc)	4	SW-330777
	S35-3 Series Front Shock Tower Arm Inserts (0 degree) 2	2		330780	S35-3 Series 43T Pro-straight crown gear 2	2	SW-330780
	S35-3 Series Adjust Clip Inserts (2mm)	4		330781	S35-3 Series 13T Pro-straight pinion gear 2	2	SW-330781
	S35-3 Series Adjust Clip Inserts (1.1mm)	2		330782	S35-3 Series Rear Hub Carriers Hinge Pin 2	2	SW-330782
	S35-3 Series Adjust Clip Inserts (1mm)	2		330797	S35GT T7075 Aluminum Main Chassis 1	1	SW-330797
	S35-3 Series Adjust Clip Inserts (0.9mm)	2		330798	S35GT BBS System Shock Body (F/R)	4	SW-330798
	S35-3 Series Adjust Clip Inserts for Rear Wheel Hub (3mm)	2		330799	S35GT BBS System Shock Shaft (F/R)	4	SW-330799
	S35-3 Series Adjust Clip Inserts for Rear Wheel Hub (2mm)	4		330800	S35GT/E T7075 Aluminum Rear Shock Tower 1	1	SW-330800
	S35-3 Series Adjust Clip Inserts for Rear Wheel Hub (1mm)	8		330801	S35GT/E T7075 Aluminum Front Shock Tower 1	1	SW-330801
	S35-3 Series Ball Bearing Inserts for 8x16x5 4	4		330802	S35GT 2nd Speed Shoes	2	SW-330802
	S35-3 Series Ball Bearing Inserts for 6x12x4 4	4		330803	S35GT 1st Speed Bell Housing	1	SW-330803
	S35-3 Series Ball Bearing Inserts for 8x14x4 4	4		330804	S35GT 2nd Speed Bell Housing	1	SW-330804
	Pivot Ball Cup	4		330805	S35GT 2nd Clutch Bell Pinion Gear 24T	1	SW-330805
	Brake Linkage Holder	2		330806	S35GT 1st Clutch Bell Pinion Gear 19T	1	SW-330806
	Throttle Linkage Holder	1		330807	S35GT 2nd Speed Clutch Bell	1	SW-330807
	Throttle Linkage Holder (Done)	1		330808	S35GT Center Drive Shaft 100mm	1	SW-330808
	Throttle Linkage Holder (Up)	1		330809	S35GT 2nd Speed Clutch Shoes Mount 1	1	SW-330809
2503260-01	S35-3 Series Ball Bearing Inserts for 6x12x4 4	4	SW-2503260-01	330810	S35GT 2nd Speed Clutch Shaft	1	SW-330810
	S35-3 Series Ball Bearing Inserts for 8x14x4 4	4		330811	S35GT Center Drive Join	2	SW-330811
220015	S35GT/E Front Bumper	1	SW-220015	330812	S35GT PIN2.5x10.8	1	SW-330812
	S35GT/E Front Bumper Up Deak	1		330832	S35GT PIN5x4.9	2	SW-330832
	S35GT/E Front Bumper Up Deak Mount	1		330833	S35GT 2nd Speed Spring Screw Holder	2	SW-330833
	S35GT/E Rear Body Mount	1		340001	S35-3 Pro-composite Carbon Steering Knuckle Plate (L&R)	2	SW-340001
220016	S35GT/E Rear Post for Body Mount	2	SW-220016	340002	S35-3 Pro-composite Carbon Steering Bellcrank Plate (Suit for Nitro Buggy)	1	SW-340002

Parts No. List

Part No.	Part Name	Q'ty in Use	Item No.
340003	S35-3 Series Pro-composite Carbon Front Upper Arm Cover Set (1mm)	2	SW-340003
340006	S35GT Carbon Fiber Center Diff. Plate	1	SW-340006
410023	Air Filter Adapter	1	SW-410023
420010	Antenna Cup	1	SW-420010
410047	S102 Shock Cap O-Ring (SP)	4	SW-410047
410038	Super Silicone Tube 2455x1 M (Transparent)	2	SW-410038
400020	S350 New BBS System Shock Seal O-Ring	4	SW-400020
400019	S350 New BBS System Shock Spring Adjust Nut O-Ring	4	SW-400019
400006	Shock Seal O-Ring	12	SW-210058
400005	Shock Spring Adjust Nut O-Ring	4	SW-400005
400002	O-ring S5 4.8X1.5	6	SW-400002
610002	Diff. Gasket (0.5T)	2	SW-610002
610005	Air Filter Outer Foam	1	SW-610004
610004	Air Filter Foam	1	SW-610004
610019	S35-3 Series Servo Saver Spring Dusty Protect Sponge	1	SW-610019
610021	S35-3GT FOAM BUMPER	1	SW-610021
115003A	SWORKz Tornado Clutch Spring II (1.0mm)	3	SW-115003A
115004	Servo Saver Spring	1	SW-330114A
115005	Rear Sway Ball 2.8mm	1	SW-115005
115006	Rear Sway Ball 2.6mm	1	SW-115006
115011A	S35-GT Series Pipe Spring (L)	1	SW-115011A
115015	Brake Spring	2	SW-210018
115016	Throttle Rod 50mm	1	SW-210018
115017	Throttle Rod Spring	1	SW-210018
115018	Brake Rod 60mm	2	SW-210018
115008A	Front Sway Ball 2.3mm	1	SW-115008
115019	Body Clip	5	SW-115019
115035A	Front Sway Ball 2.2mm	1	SW-115035
115098	S350 Series Brake Pad Hold Spring (Soft)	4	SW-210043
115148	S35GT BBS System Silver Line Shock Spring A1 (GN)(40x2.2x5.25)	4	SW-115148
116004	Ball Bearing 6x10x3mm	4	SW-116004
116006	Ball Bearing 8x16x5mm	6	SW-116006
116009	Ball Bearing M5x8x2.5 ZZ (4PC)	2	SW-116009
116010	Ball Bearing 5x10x4mm	2	SW-116010
116016	Ball Bearing 5x11x4mm	4	SW-116016
116017	Ball Bearing 6x12x4mm	8	SW-116017
116018	Ball Bearing 8x12x3.5mm	2	SW-116018
117003	Flange Ball Bearing 3x6x2.5mm	4	SW-117003
108001	M3x12mm FH/ST HEX Screw	12	SW-108001
108003	M3x10mm FH/ST HEX Screw	25	SW-108003
108005	M3x14mm FH/ST HEX Screw	2	SW-108005
108006	M3x8mm FH/ST HEX Screw	23	SW-108006
108007	M3x6mm FH/ST HEX Screw	16	SW-108007
108008	M3x35mm FH/ST HEX Screw	4	SW-108008
108010	M4x10mm FH/ST HEX Screw	5	SW-108010
108011	M4x12mm FH/ST HEX Screw	4	SW-108011
108012	M4x16mm FH/ST HEX Screw	8	SW-108012
108013	M4x8mm FH/ST HEX Screw	1	SW-108013
108020	M2.0x4mm FH/ST HEX Screw	4	SW-108020
108026	M3x5mm FH/ST HEX Screw	6	SW-108026
106022	M2.5x14mm Soket OH/ST Screw (1.5mmHex)	5	SW-106022
106021A	S35 Series M4x10mm Hex Soket OH/TP Set Screw	4	SW-106021A
106020	M2.5x5mm 1.5mmHex Soket OH/ST Screw	16	SW-106020
106015	M3x5mm Hex Soket OH/TP Screw	2	SW-106015
106013	M2.5x8mm 1.5mmHex Soket OH/ST Screw	4	SW-106013
106010	M3x6mm Hex Soket OH/TP Screw	12	SW-106010
106009	M3x25mm Hex Soket OH/TP Screw	6	SW-106009
106008	M3x12mm Hex Soket OH/TP Screw	4	SW-106008
106007	M3x12mm Hex Soket OH/TP Screw(HT)	9	SW-106007
106006	M3x20mm Hex Soket OH/TP Screw	6	SW-106006
106005	M3x15mm Hex Soket OH/TP Screw	8	SW-106005
106003	M3x16mm Hex Soket OH/TP Screw	10	SW-106003
106002	M3x10mm Hex Soket OH/TP Screw	17	SW-106002
106001	M3x8mm Hex Soket OH/TP Screw	2	SW-106001
105013A	M3x25mm Cap Screw	4	SW-105013A
105012	M3x10mm Cap Screw	2	SW-105012
105007A	M4x8mm I-Head Screw	4	SW-105007A
105005	M3x12mm Cap Screw	2	SW-105005
105001	M3x8mm Cap Screw	1	SW-105001
104011	M4x4mm Set Screw (Flat Bottom)	5	SW-104011
104010	M5x4mm Set Screw (Flat Bottom)	6	SW-104010
104009	M3x16mm Set Screw	1	SW-104009
104005	M3x4mm Set Screw	4	SW-104005
104004	M3x3mm Set Screw	15	SW-104004
103004	M2.5mm Nut Lock	4	SW-103004
103001	M3 Nut Lock	17	SW-103001
103003A	Flange M3 Nut Lock (GM)	4	SW-103003A
101020A	3mm Countersunk Washers (GM)	2	SW-101020A
101010A	M3 Countersunk Washer(GM)	4	SW-101010A
101021	M3x8xT0.8mm	2	SW-101021
101019	SHIM 6.0x10.0x0.2mm	1	SW-101019
101018	SHIM 8.0x10.0x0.1mm	6	SW-101018
101012	M3x6xT0.5mm	4	SW-101012
101011	M2.6x6xT0.6mm	4	SW-101011
101004	Washer 3.5X10X0.2mm	12	SW-101004
100003	3mm E-clip	1	SW-100003
101013	3mm Spring Washer	4	SW-101013
101015	M5x8xT0.4mm	4	SW-101015
101016	M5x8xT0.8mm	1	SW-101016

Spare Part List

Item No.	Part Name
SW-2501121C	S35/S350 Series Ball End Set with Shock Plastic Parts (2 Set)
SW-2501124	S350 Center Diff. Mount Set (2 Set)
SW-2501126	Ail Filter Set
SW-2501529	S350 BX1/BR1 Plastic Chassis Brace Set
SW-2501122B	S35/S350 Series Setting Bellcrank Set 2.0 Set (with Servo Horn)
SW-2501123	S350 Side Guard Set (L&R)
SW-2502040-02	S350T Body Mount with Fuel Tank Ring-pull
SW-2503260	S353 Series Plastic Inserts Set
SW-2503260-01	S353 Series Plastic Wheel Hub Inserts Set
SW-2503260-02	S35-3 Series Plastic Arm Inserts Set
SW-2503260-03	S35-3 Series Plastic Suspension Inserts Set
SW-2503261	S35-3 Series Gear Box Set
SW-2503262	S35-3 Nitro Buggy Radio Tray Set
SW-2503263H	S35-3 Series F/R Lower Harder Arm Set (1set)
SW-2503264A	S35-3 Series Front Steering Knuckle Set (Type 2.0)
SW-2503270-01	S35-3 Series Front Upper Arms (2pc)
SW-2503270-02	S35-3 Series Rear Upper Arm Outside Ball Ends (2pc)
SW-2503270-03	S35-3 Series Front Steering Ball Ends (4pc)
SW-220015	SWORKz 1/8 S35GT/E Bumper Set
SW-220016	SWORKz 1/8 S35GT/E Wing Mount Set
SW-220017	SWORKz 1/8 S35GT/E Plastic Body Post and Mount Set
SW-200193	Antenna Tube
SW-210002A	S350 EVO Big Bore Diff Case
SW-210018	Throttl Linkage Set
SW-210043	S350 Professional Matel Brake Calipers 2.0 Set
SW-210048	S350T Fuel Tank Set (150cc)
SW-210051	S35-3 6mm Axle Universal Cross Drive Shaft Set 92.5mm
SW-210058	S350 series BBS Shock Seal Kit
SW-320003	Diff. Bevel Gear Set
SW-330006	Tornado Clutch Shoes
SW-330008A	SWORKz Tornado Fly Wheel Set (GM)
SW-330013	Bevel Gear Shaft
SW-330014A	S35 Series Front/Rear Diff. Outdrive (2pc)
SW-330015	Pin M2.2x9.9mm
SW-330100A	S350 Sseries Engine Mount Set (HC)
SW-330100A	Engine Mount Set
SW-330103	Front/Rear Lower Arm HingPin
SW-330104	Brake Cam Set
SW-330113	Servo Saver Shaft
SW-330114A	S350 Sseries Servo Saver Post (HC)
SW-330117A	S350 Series Knuckle Pivot Ball Washer(GM)
SW-330118A	S350 Series Knuckle Pivot Ball Nut(GM)
SW-330119	Front Upper Arm HingPin
SW-330122A	S350 Wheel Nut (HC)
SW-330123A	S350 EVO Rear Upper Sus. Arm Turnbuckles M5x38mm
SW-330125	Rear Upper Sus. Arm Ball Stud
SW-330126A	S350 EVO Steering Turnbuckle M4x40mm
SW-330134	Shock Ball Stud 6mmxL6.7
SW-330136	Sway Bar Ball Stud
SW-330138B	S350 Series Aluminum Shock Cap Stud (-1.3mm)(2PC)
SW-330140A	S350 SeriesPipe Holder(GM)
SW-330155	Steering Servo Turnbuckle (M3x30mm)
SW-330215A	S350 Series Adjuster Knob (Included Brake Adjuster Knob)(GM)
SW-330252	S35 Sries Aluminum Front Changeable Lower Arm Holder (BK)
SW-330399B	S350 BX1/BR1 Steering Knuckle Pivot Ball Turnbuckle
SW-330423A	S35-3 Series Aluminum Rear Chassis Brace Mount (GM)
SW-330560	S350 PSP System Aluminum Setting Bellcrank Upper (A 2H)
SW-330562	S350 New BBS System Shock Spring Adjust Nut
SW-330563	S350 New BBS System Shock Piston 1.3mmX6 Holes(2pc)
SW-330568	S350 New BBS System Shock Piston 1.4mmX6 Holes(2pc)
SW-330575	S350 Buggy Series Aluminum Center Diff. Mount
SW-330576	S35-3 all Series 17mm HC Wheel Hub for 6mm Axle (L5.5mm) (2PC)
SWC-330580	S35-3 Series 6mm Wheel Hub Pin M2.5x16.8mm (4PC)
SW-330642	S350 Competition Series Professional Brake Disc
SW-330644	S35 Series Adjust Front Lower Arm Plate
SW-330651L	S35-3 Seies BBS Emulsion Shock Cap
SW-330651R	S350 Series S35 Competition Aluminum Rear Hub Carry (L)
SW-330661A	S350 Series S35 Competition Aluminum Rear Hub Carry (R)
SW-330767A	S35-T/S35 Series Competition Center Drive Join (5mm set screw)
SW-330769	S35-3 Series Steel F-Center Dive Shaft (88mm)
SW-330770	S35-3 Series Rear Front Lower Suspension Plate
SW-330772	S35-3T-7075 Aluminum Rear Lower Fully Adjustable Toe-In Block (Type A)
SW-330773	S35-3 Series T-7075 Aluminum Front Upper Arm Holder
SW-330776	S35-3 Series T-7075 Aluminum Steering Plate
SW-330776	S35-3 Series Servo Saver Big Nut

Spare Part List

Item No.	Part Name
SW-330777	S35-3 Series Aluminum Steering Linkage 7mm Ball Stud(4pc)
SW-330780	S35-3 Series 43T Pro-straight crown gear
SW-330781	S35-3 Series 13T Pro-straight pinion gear
SW-330782	S35-3 Series Rear Hub Carriers Hinge Pin with Nut
SW-330797	S35GT T7075 Aluminum Main Chassis
SW-330798	S35GT BBS System Shock Body (F/R)
SW-330799	S35GT BBS System Shock Shaft (F/R)
SW-330800	S35GT/E T7075 Aluminum Rear Shock Tower
SW-330801	S35GT/E T7075 Aluminum Front Shock Tower
SW-330802	S35GT 2nd Speed Shoes
SW-330803	S35GT 1st Speed Bell Housing
SW-330804	S35GT 2nd Speed Bell Housing
SW-330805	S35GT 2nd Clutch Bell Pinion Gear 24T
SW-330806	S35GT 1st Clutch Bell Pinion Gear 19T
SW-330807	S35GT 2nd Speed Clutch Bell
SW-330808	S35GT Center Drive Shaft 100mm
SW-330809	S35GT 2nd Speed Clutch Shoes Mount
SW-330810	S35GT 2nd Speed Clutch Shaft
SW-330811	S35GT Center Drive Join
SW-330812	S35GT PIN2.5x10.8
SW-330832	S35GT PIN5x4.9
SW-330833	S35GT 2nd Speed Spring Screw Holder
SW-338001	S35-GT Crankshaft Extension Washer
SW-340001	S35-3 Pro-composite Carbon Steering Knuckle Plate (L&R)
SW-340002	S35-3 Pro-composite Carbon Steering Bellcrank Plate (Suit for Nitro Buggy)
SW-340003	S35-3 Series Pro-composite Carbon Front Upper Arm Cover Set (1mm)(2PC)
SW-340006	S35GT Carbon Filber Center Diff. Plate
SW-400002	O-ring S5 4.8X1.5
SW-400005	Shock Spring Adjust Nut O-Ring
SW-410023	Air Filter Adapter
SW-410038	Super Silicone Tube 2455x1 M (Transparent)
SW-410047	S102 Shock Cap O-Ring (SP)
SW-420010	Antenna Cup
SW-610002	Diff. Gasket (0.5T)(6pc)
SW-610004	Air Filter Outer Foam
SW-610019	S35-3 Series Servo Saver Spring Dusty Protect Sponge (2pc)
SW-610021	S35-3GT FOAM BUMPER
SW-101004	Washer 3.5X10X0.2mm
SW-101010A	M3 Countersunk Washer(GM)
SW-101011	M2.6x6xT0.6mm
SW-101012	M3x6xT0.6mm
SW-101013	3mm Spring Washer
SW-101015	M5x8xT0.4mm
SW-101016	M5x8xT0.8mm
SW-101018	SHIM 13x16x0.2mm
SW-101019	SHIM 6.0x10.0x0.2mm
SW-101020A	S350 Sries 3mm Countersunk Washers (GM)
SW-101021	M3x8xT0.8mm
SW-101035	SHIM 8.0x12.0x0.2mm
SW-101038	SHIM 7.0x12.0x1.0mm
SW-103001	M3 Nut Lock
SW-103003A	Flange M3 Nut Lock (GM)
SW-103004	M2.5mm Nut Lock
SW-104004	M3x3mm Set Screw
SW-104005	M3x4mm Set Screw
SW-104009	M3x16mm Set Screw
SW-104010	M5x4mm Set Screw (Flat Bottom)
SW-104011	M4x4mm Set Screw (Flat Bottom)
SW-105001	M3x8mm Cap Screw
SW-105005	M3x12mm Cap Screw
SW-105007A	M4x8mm I-Head Screw (Thin)
SW-105012	M3x10mm Cap Screw
SW-105013A	M3x25mm Cap Screw
SW-106001	M3x8mm Hex Soket OH/TP Screw
SW-106002	M3x10mm Hex Soket OH/TP Screw
SW-106003	M3x16mm Hex Soket OH/TP Screw
SW-106005	M3x15mm Hex Soket OH/TP Screw
SW-106006	M3x20mm Hex Soket OH/TP Screw
SW-106007	M3x12mm Hex Soket OH/TP Screw(HT)
SW-106008	M3x12mm Hex Soket OH/TP Screw
SW-106009	M3x25mm Hex Soket OH/TP Screw
SW-106010	M3x6mm Hex Soket OH/TP Screw
SW-106013	M2.5x8mm 1.5mmHex Soket OH/ST Screw
SW-106015	M3x5mm Hex Soket OH/TP Screw
SW-106020	M2.5x5mm 1.5mmHex Soket OH/ST Screw

Option Part List

Item No.	Part Name
SW-106021A	S35 Series M4x10mm Hex Soket OH/TP Set Screw
SW-106022	M2.5x14mm Soket OH/ST Screw (1.5mmHex)
SW-108001	M3x12mm FH/ST HEX Screw
SW-108003	M3x10mm FH/ST HEX Screw
SW-108005	M3x14mm FH/ST HEX Screw
SW-108006	M3x8mm FH/ST HEX Screw
SW-108007	M3x6mm FH/ST HEX Screw
SW-108008	M3x35mm FH/ST HEX Screw
SW-108010	M4x10mm FH/ST HEX Screw
SW-108011	M4x12mm FH/ST HEX Screw
SW-108012	M4x16mm FH/ST HEX Screw
SW-108013	M4x8mm FH/ST HEX Screw
SW-108020	M2.0x4mm FH/ST HEX Screw
SW-108026	M3x5mm FH/ST HEX Screw
SW-115003A	SWORKz Tornado Clutch Spring II (1.0mm)
SW-115005	Rear Sway Bar 2.8mm
SW-115006	Rear Sway Bar 2.6mm
SW-115008	Front Sway Bar 2.3mm
SW-115011A	S35-GT Series Pipe Spring (+10mm Longer)
SW-115019	1/8 Body Clip(6pc)
SW-115035	Front Sway Ball 2.2mm
SW-115148	S35GT BBS System Silver Line Shock Spring A1 (GN)(40x2.2x5.25)
SW-116004	Ball Bearing 6x10x3mm (4pc)
SW-116006	Ball Bearing 8x16x5mm (10pc)
SW-116009	Ball Bearing M5x8x2.5 ZZ (4PC)
SW-116010	Ball Bearing 5x10x4mm
SW-116016	Ball Bearing 5x11x4mm (4PC)
SW-116017	Ball Bearing 6x12x4mm
SW-116018	Ball Bearing 8x12x3.5mm
SW-117003	Flange Ball Bearing 3x6x2.5mm(2pc)

Option Part List

Item No.	Part Name
SW-115007	Rear Sway Bar 3.0mm
SW-115010	Front Sway Bar 2.8mm
SW-116006A	High Performance Rubber Cover Ball Bearing 8x16x5mm (10pc)
SW-116010B	High Performance Ball Bearing 5x10x4mm(coffee)(4pc)
SW-210014	Front Sway Bar Set
SW-210015	Rear Sway Bar Set(2.6/2.8/3.0)
SW-2503260FO	S353 Series Colorful Plastic Inserts Set (FO)
SW-2503260FY	S353 Series Colorful Plastic Inserts Set (FY)
SW-330115	Steering Knuckle Pivot Ball Turnbuckle
SW-330116	14mm Knuckle Pivot Ball
SW-330125A	S350 Series Aluminum Rear Upper Sus. Arm Ball Stud(4pc)
SW-330134A	S350 Series Aluminum Shock Ball Stud(4pc)
SW-330136A	S350 Series Aluminum Sway Bar Ball Stud(4pc)
SW-330168A	S35-3 Series Rear Chassis Blance wight 15g(2pc)
SW-330243	SWORKz 3x18mm Shock Hex Screw Set (Anti-Clockwise)
SW-330398A	SWORKz S350 Series Pro Wheel Nut (GM)
SW-330420	S350 Series Knuckle Pivot Ball Balance Nut (5.5g) (2pc)
SW-330499	S350 Series Rear Sway Bar 2.7mm
SW-330500	S350 Series Front Sway Bar 2.0mm
SW-330564	S350 New BBS System Shock Piston 1.5mmX6 Holes(2pc)
SW-330565	S350 BBS System Shock Piston 1.3mmX8 Oblique Holes (2pc)
SW-330566	S350 BBS System Shock Piston 1.2mmX8 Oblique Holes (2pc)
SW-330568	S350 Buggy Series Aluminum Center Diff. Mount
SW-330574	S35-3 Series 17mm Wheel Hub for 6mm Axle (L4.5mm) (2PC)
SW-330767	S35-3 Series T-7075 Aluminum F-Center Dive Shaft (88mm)
SW-330792	SWORKz Pro-Design Aluminum Steering Servo Horn 25T
SW-330794	SWORKz Pro-Design Aluminum Steering Servo Horn 23T
SW-330795	S35-3 T-7075 Aluminum Rear Lower Fully Adjustable Toe-In Block (Type B)
SW-340004	S35-3 Series Pro-composite Carbon Front Lower Arm Cover Set (1mm)(2PC)
SW-340005	S35-3 Series Pro-composite Carbon Rear Lower Arm Cover Set (1mm)(2PC)
SW-340003A	S35-3 Series Pro-composite Carbon Front Upper Arm Cover (1.5mm)
SW-340004A	S35-3 Series Pro-composite Carbon Front Lower Arm Cover (1.5mm)
SW-340005A	S35-3 Series Pro-composite Carbon Rear Lower Arm Cover (1.5mm)
SW-350002	S350 Series BBS System Shock Piston 1.2mmX8 Straight Holes
SW-350003	S350 Series BBS System Shock Piston 1.3mmX8 Straight Holes
SW-360001	S35 Series Front Arm Holder Balance Weight Set (25g/35g)
SW-510053-PBK	SWORKz Speed Logo Sticker (PushBar)(BK)(2pc)
SW-510053-PFO	SWORKz Speed Logo Sticker (PushBar)(FO)(2pc)
SW-510053-PFY	SWORKz Speed Logo Sticker (PushBar)(FY)(2pc)
SW-510053-PHA	SWORKz Speed Logo Sticker (PushBar)(Hara Edition)(2pc)
SW-510053-PWH	SWORKz Speed Logo Sticker (PushBar)(WH)(2pc)
SWC-116006C	SWORKz Competition 8x16x5mm Ball Bearing (Metal Case)(6PC)
SWC-116010C	SWORKz Competition 5x10x4mm Ball Bearing (Metal Case)(6PC)
SWC-116016B	SWORKz Competition 5x11x4mm Ball Bearing (Metal Case)(4PC)
SWC-116017A	SWORKz Competition 6x12x4mm Ball Bearing (Metal Case)(8PC)
SWC-210082	SWORKz S35-3 Competition Ball Bearing Kit (Metal Case)(Set)(20PC)
SWC-330115A	S350 Series Competition Titanium Steering Knuckle Pivot Ball Turnbuckle

SWORKZ

www.sworkz.com



SPEEDMASTER HOBBY CO., LTD.

TEL: +886-3-538-7638

FAX: +886-3-538-7328

No.42, Ruiguang St., Xiangshan Dist.,
Hsinchu City 300, Taiwan (R.O.C.)

www.sworkz.com